

## Excellent Integrated System Limited

Stocking Distributor

Click to view price, real time Inventory, Delivery & Lifecycle Information:

[TE Connectivity Raychem Circuit Protection  
RHE1500](#)

For any questions, you can email us directly:

[sales@integrated-circuit.com](mailto:sales@integrated-circuit.com)

**Tyco/Electronics**  
 Raychem Circuit Protection  
 308 Constitution Drive  
 Menlo Park, CA 94025-1164  
 800-227-4856  
 FAX 800-227-4866

**PolySwitch®**  
**PTC Devices**  
 Overcurrent Protection Device

**PRODUCT: RHE1500**  
 DOCUMENT: SCD 24886  
 PCN: 774393  
 REV LETTER: A  
 REV DATE: SEPTEMBER 25, 2001  
 PAGE NO.: 1 OF 1

**Specification Status: RELEASED**

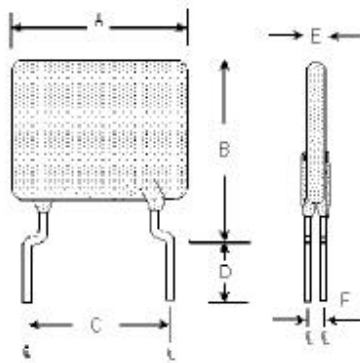
**Electrical Rating**

**Voltage: 16V<sub>DC</sub> MAX**  
**Current: 100A MAX**

**INSULATING MATERIAL:**  
 Cured, Flame Retarded Epoxy Polymer  
 meets UL94 V-0 Requirements

**LEAD MATERIAL:**  
 18 AWG Tin/Lead Plated Copper

**PART MARKING:**  
 Raychem Logo and Voltage  
 16 Part Identification  
 H15 Part Identification  
 Lot Identification (can be on back)



**TABLE I. DIMENSIONS:**

	A		B		C		D		E		F
	MIN	MAX	MIN	MAX	MIN	MAX	MIN	MAX	MIN	MAX	TYP
mm:	--	23.5	--	28.7	9.4	10.9	7.6	--	--	3.6	1.4
in*:	--	(0.925)	--	(1.13)	(0.37)	(0.43)	(0.30)	--	--	(0.14)	(0.06)

\*Rounded off approximation

**TABLE II. PERFORMANCE RATINGS:**

I HOLD	CURRENT RATINGS				TIME TO TRIP	RESISTANCE		TRIPPED-STATE POWER DISSIPATION
	AMPS 25°C HOLD	AMPS AT 0°C HOLD	AMPS AT 25°C HOLD	AMPS AT 60°C HOLD		SECONDS AT 25°C, 75A MAX	OHMS AT 25°C MIN   MAX	
15.0	--	--	15.0	28.0	--	--	0.0032   0.0092	7.0

**Reference Documents:** PS300  
 Precedence: This specification takes precedence over documents referenced herein.  
 Effectivity: Reference documents shall be the issue in effect on the date of invitation for bid.  
 CAUTION: Operation beyond the rated voltage or current may result in rupture, electrical arcing or flame.