

Excellent Integrated System Limited

Stocking Distributor

Click to view price, real time Inventory, Delivery & Lifecycle Information:

[Molex Connector Corporation](#)

[0016020081](#)

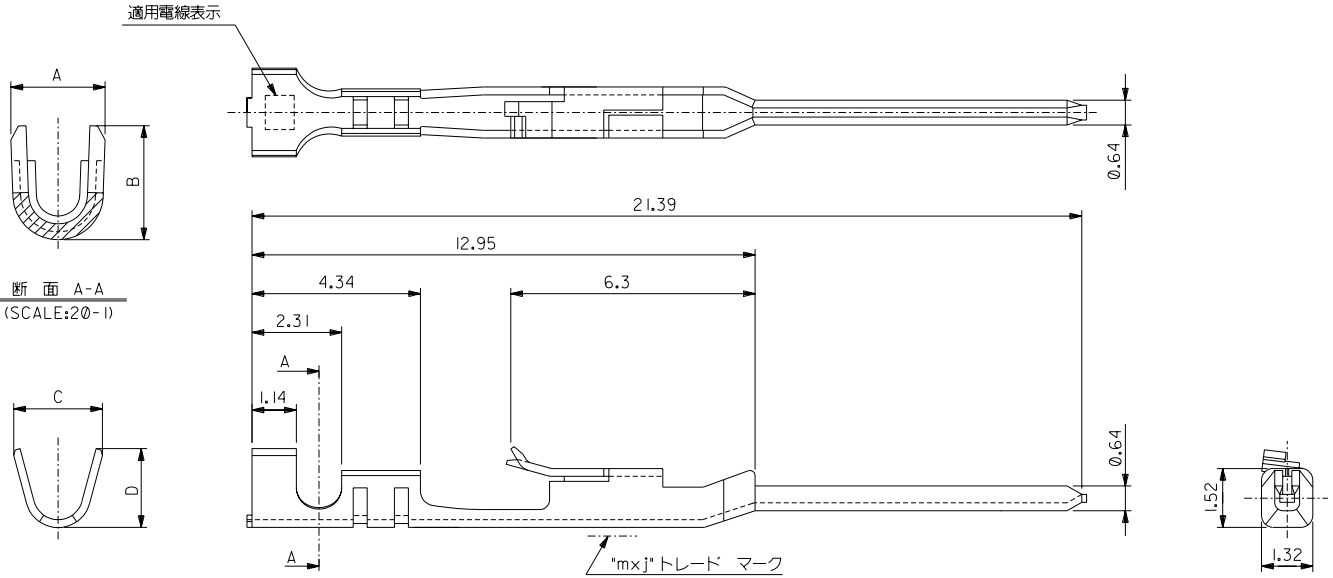
For any questions, you can email us directly:

sales@integrated-circuit.com

ENC. NO. 0-06
SD-70021-0-23

EDP NO. #

MM DIMENSIONS IN METRIC DO NOT SCALE DRAWING

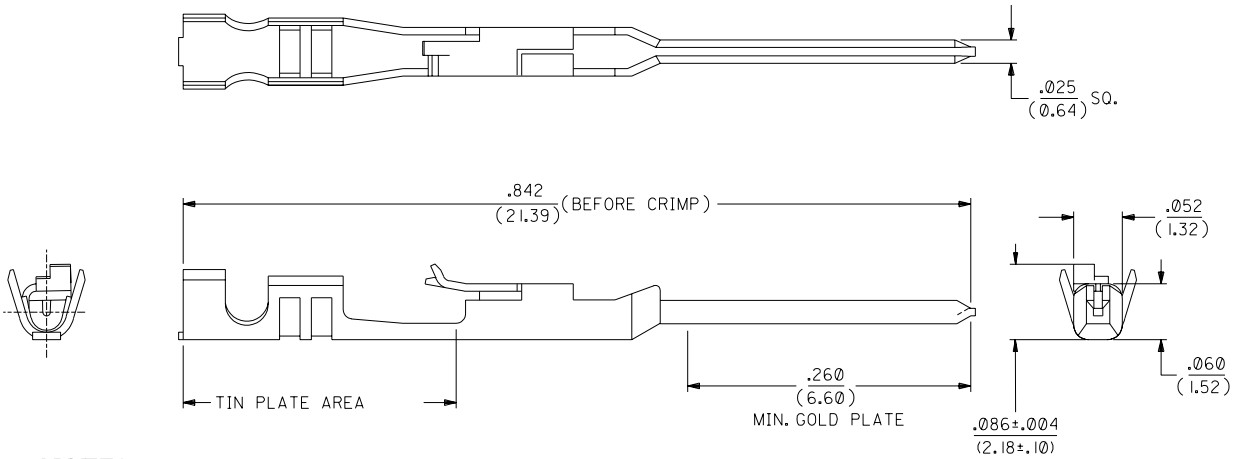


注記:

- 適合ハウジング: 70066-****, 70107-****
- メッキ仕様:
 - 接点部 : 金メッキ, 0.38 μmMIN.
 - 圧着部 : 錫メッキ, 1.91 μmMIN.
 - 下地メッキ: ニッケルメッキ, 1.27 μmMIN.

1.91	2.1	1.47	1.22	A	φ 1.6 MAX.	AWG#24-#30	連鎖状	70021-0006
1.91	2.1	1.65	1.84	C	φ 1.6 MAX.	AWG#22-#24	バラ状	70021-0223
D	C	B	A	適用電線表示	被覆外径	適用電線範囲	端子形状	MATERIAL No.
				材料 MATERIAL	磷青銅	MOLEX-JAPAN CO.,LTD. 日本モレックス株式会社		
				仕上げ FINISH	注記参照	EDP. NO. #		
				適用電線範囲 WIRE RANGE	表参照	ENG. NO. SD-70021-0-06 0-23		
				被覆外径 INS. RANGE	表参照	REV B		
角度 ANGLE	+3°	B	変更 (12004-4519)	MS	04/05/13	TITLE 名称 SL MALE CRIMP TERMINAL -LEAD FREE-		
30°以上 OVER	+0.3	A	変更 (1060398)	MS	95/12/07	DRAWN BY <i>Sh. Mutoke</i> CHKD BY <i>A. A.</i>		
10°以上 30°未満 UNDER	+0.25	0	新規作成 (100110)	MS	90/11/16	APPR'D BY <i>S. Yamano</i> 尺度 SCALE 10-1		
10°未満 UNDER	+0.2	記号 LTR	変更内容 REVISION RECORD	DR. CHK. DATE				
一般公差 GENERAL TOLERANCES	REVISE ONLY ON CAD SYSTEM							

THIS DRAWING CONTAINS INFORMATION THAT IS PROPRIETARY TO MOLEX/JAPAN AND SHOULD NOT BE USED WITHOUT WRITTEN PERMISSION
本図面は日本モレックス（株）の所有する情報を含むもので 当社の許可なく複製を禁止する。 MXJ-8



NOTES:

1. TERMINAL FOR USE WITH HOUSING PART NO. 70066-**** & 70107-****.
2. MATERIAL: .008/(0.20) THK. PHOSPHOR BRONZE.
3. TERMINAL TO BE USED WITH 22-24 AWG STRANDED WIRE WITH .064 DIA. MAX. INSULATION.
4. REFER TO MOLEX OPERATIONAL AND SERVICE MANUAL FOR DETAILS.
5. REFER TO PRODUCT SPECIFICATION NO. PS-70021.
6. PARTS SUPPLIED IN REEL FORM.

PLATING:

.000015 GOLD PLATE IN SELECT AREA.
.000075 MIN. TIN PLATE IN SELECT AREA.
OVER NICKEL PLATE.

*THE PRIMARY SHIPPING CARTON WILL BE LABELED "COMPLIANT TO ROHS DIRECTIVE 2002/95/EC AND ELV ANNEX II OF DIRECTIVE 2000/53/EC". CARTONS WITHOUT THIS LABEL MAY CONTAIN PRODUCT WITH LEAD.

G	LEAD FREE UCP2004-1769 RWHITE 04/03/12
F1	REVISED ECR #U80270 MCGRATH 97/07/31
F	REVISED PLTG. SPEC. PER ECR # U31149 08/19/93 REED
E	REVISED PER ECR# U82220 11/07/88 MJM/MGB
D	REDRAWN ON CAD PER E.C.R. #9509 11/10/86 WJF/MJM

MFG.	SH.	REV.	LTR.	REVISIONS
------	-----	------	------	-----------

DIMENSIONS SHOWN (METRIC) INCH		▽ = 0		◻ = 0		REVISE ONLY ON CAD SYSTEM	
UNLESS OTHERWISE SPECIFIED TOLERANCES: ANGULAR ± 1/2°							
				TITLE			
				TERMINAL, MALE CRIMP			
				MOLEX INCORPORATED		SHEET NO.	DATE
				LITTLEILL. 60532 U.S.A.		1	10/30/86
				PART NO.		DRWG. NO.	
				16-02-0081		SD-70021-0023	
				FILE NAME		DIV.	
				570021X23		DA	
				DGN		SIZE	
						B	
DRWG. BY: WJF		CHK'D. BY: MJM		APP'D. BY: WAZ		SCALE: 10:1	