

Excellent Integrated System Limited

Stocking Distributor

Click to view price, real time Inventory, Delivery & Lifecycle Information:

[Littelfuse](#)
[51900001009](#)

For any questions, you can email us directly:

sales@integrated-circuit.com

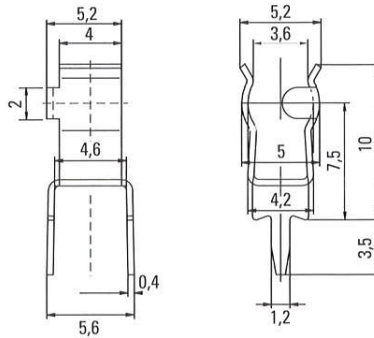
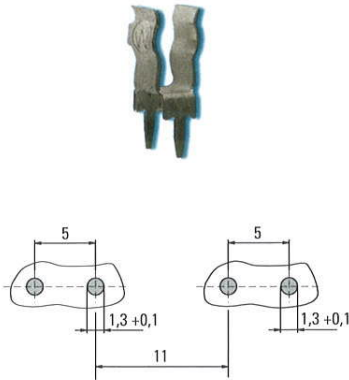
MINIATURE FUSEHOLDERS



Clip / No. 520

PC Mount, 5x20mm Fuses

Specifications



Mounting
 PC Board, 5mm pin spacing
 Solder pins 0.4 x 1.2mm

Materials
 Clip: Copper alloy
 Solderable, tinned

Electrical Data (23°C)
 Rated Voltage: 250V
 Max. Current/Power: 6.3A/2.5W

Minimum Cross Section
 Conducting path - 0.2mm²

Unit Weight
 0.4g

Packaging
 Bulk (5000 pcs.)

Order Number
 Clip No. 520 0000 100

Clip / No. 521

PC Mount, 5x20mm Fuses 90° Pin Shift

Mounting
 PC Board, 5mm pin spacing
 Solder pins 0.4 x 1.2mm

Materials
 Clip: Copper alloy
 Solderable, tinned

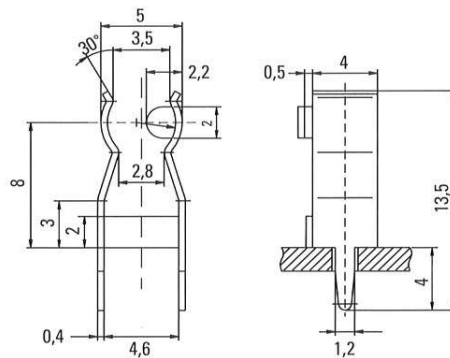
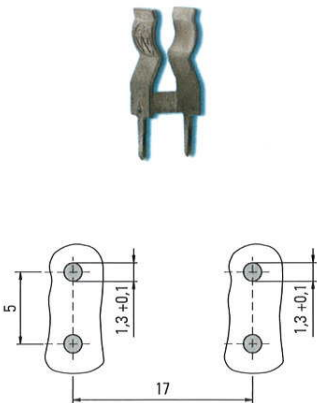
Electrical Data (23°C)
 Rated Voltage: 250V
 Max. Current/Power: 6.3A/2.5W

Minimum Cross Section
 Conducting path - 0.2mm²

Unit Weight
 0.4g

Packaging
 Bulk (5000 pcs.)

Order Number
 Clip No. 521 0000 100



Clip / No. 519

PC Mount, 5x20mm Fuses Taped

Mounting
 PC Board, 5mm pin spacing
 Solder pins 0.3 x 0.5mm

Materials
 Clip: Copper alloy
 Solderable, tinned

Electrical Data (23°C)
 Rated Voltage: 250V
 Max. Current/Power: 2.5A/1W

Minimum Cross Section
 Conducting path - 0.1mm²

Unit Weight
 0.5g

Packaging
 Tape/Reel (1000 pcs.)

Order Number
 Clip No. 519 0000 100

