

Excellent Integrated System Limited

Stocking Distributor

Click to view price, real time Inventory, Delivery & Lifecycle Information:

[Molex Connector Corporation](#)
[0015312096](#)

For any questions, you can email us directly:

sales@integrated-circuit.com

ENG. NO.	ORDER NO.	PIN STYLE	HSG. MATERIAL	PIN PLATING
A-5219-09B	I5-31-1096	SOLID	94V-2 NYLON	TIN
A-5219-09C	I5-31-2096	SOLID	94V-2 NYLON	TIN
A-5219-09D	I5-31-3096	HOLLOW	94V-2 NYLON	TIN
A-5219-09B-201	PRELIMINARY	SOLID	94V-0 NYLON	TIN
A-5219-09BG	PRELIMINARY	SOLID	94V-2 NYLON	GOLD
A-5219-09BG-201	PRELIMINARY	SOLID	94V-0 NYLON	GOLD

HOUSING MATERIAL:

- 1 - NYLON TYPE 66, 94V-2, NATURAL
- 2 - NYLON TYPE 66, 94V-0, NATURAL

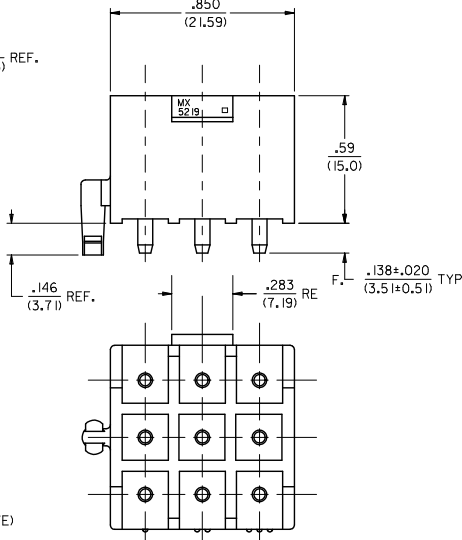
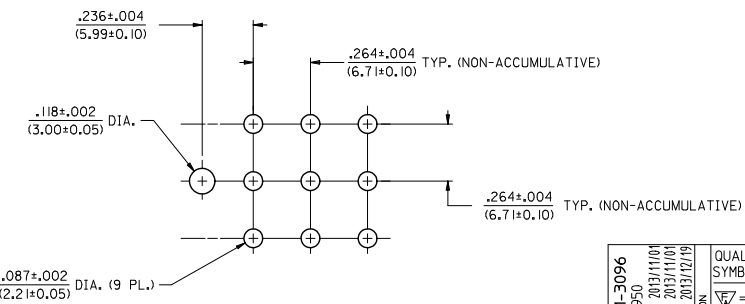
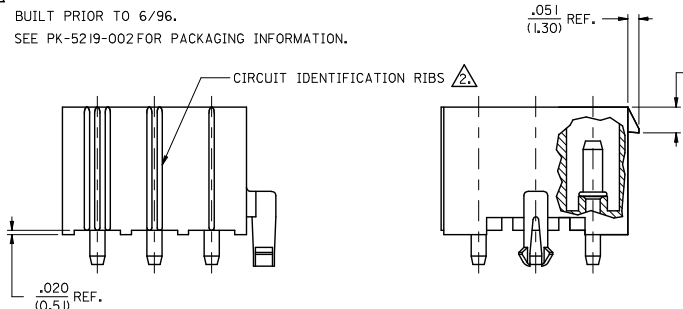
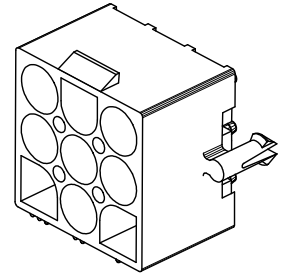
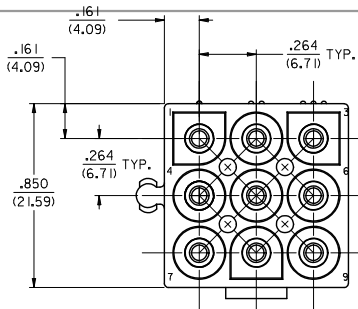
PIN MATERIAL: BRASS

PIN PLATING:

- 1 - POST PLATE .000120/(0.00305) MIN. TIN OVER .000040/(0.0010) MIN. NICKEL
- 2 - POST PLATE .000014/(0.00035) MIN. GOLD OVER .000080/(0.00200) MIN. NICKEL

NOTES:

- 1. THESE HEADERS ARE FOR USE ON .062/(1.57) THICK P.C. BOARDS AND MATE WITH 3191-9 SERIES RECEPTACLES.
- 2. CIRCUIT I.D. RIBS NOT PRESENT ON PARTS FROM TOOLS BUILT PRIOR TO 6/96.
- 3. SEE PK-5219-002 FOR PACKAGING INFORMATION.



RECOMMENDED P.C. BOARD LAYOUT

ADD P/N 15-31-3096 EC NO: UCP204-1950 DRAWN: HMG 2/13/11/01 CHKD: JELL 2/13/11/01 APPR: SMITH 2/13/12/11/01 REV C5	QUALITY SYMBOLS ∇=0 ∇=0 ∇=0	GENERAL TOLERANCES (UNLESS SPECIFIED)		DIMENSION STYLE IN/MM		SCALE 3:1	DESIGN UNITS INCH	THIRD ANGLE PROJECTION		
		4 PLACES ± --- ± ---	3 PLACES ± --- ± .010	DRAWN BY CM	DATE 1996/05/23	TITLE .093/(2.36) SERIES 9 CIRCUIT HEADER ASSEMBLY				
		2 PLACES ± 0.25 ± .014	1 PLACE ± 0.35 ± ---	CHECKED BY RW	DATE 1996/05/23					
		ANGULAR ± 1/2°		APPROVED BY		DATE	MOLEX INCORPORATED		SHEET NO. 1 OF 1	
DRAFT WHERE APPLICABLE MUST REMAIN WITHIN DIMENSIONS		SEE CHART		MATERIAL NO. SDA-5219-09**		THIS DRAWING CONTAINS INFORMATION THAT IS PROPRIETARY TO MOLEX INCORPORATED AND SHOULD NOT BE USED WITHOUT WRITTEN PERMISSION				