



Distributor of Molex Connector Corporation: Excellent Integrated System Limited
Datasheet of 0387390618 - Connector Barrier Block Strip 10 Circuit 0.438" (11.12mm)

Contact us: sales@integrated-circuit.com Website: www.integrated-circuit.com

Excellent Integrated System Limited

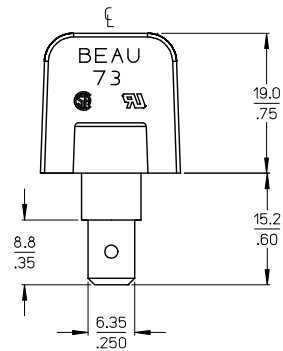
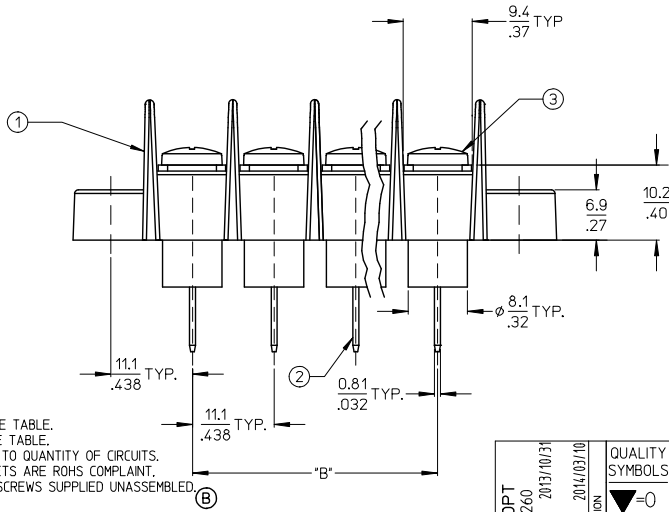
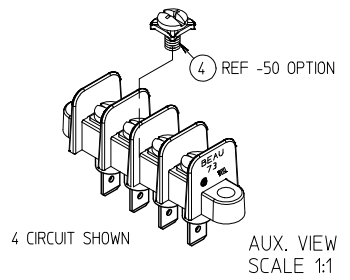
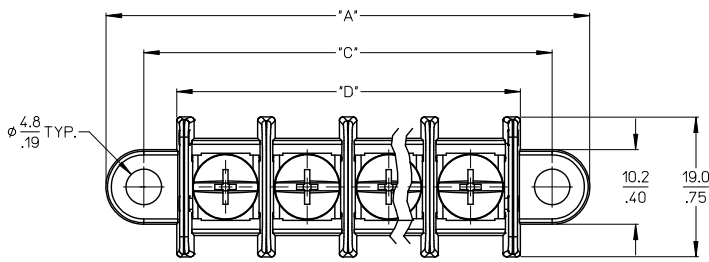
Stocking Distributor

Click to view price, real time Inventory, Delivery & Lifecycle Information:

[Molex Connector Corporation](#)
[0387390618](#)

For any questions, you can email us directly:
sales@integrated-circuit.com

10 9 8 7 6 5 4 3 2 38732



NOTES:

1. MATERIAL: SEE TABLE.
2. FINISHES: SEE TABLE.
3. "XX" REFERS TO QUANTITY OF CIRCUITS.
4. ALL COMPONENTS ARE ROHS COMPLIANT.
5. -59 OPTION: SCREWS SUPPLIED UNASSEMBLED.

ITEM	QTY	DESCRIPTION	MATERIAL	FINISH
4	XX	SCREW & WASHER, #8-32, PAN HEAD (-50 OPT)	BRASS	NICKEL PLATE
3	XX	SCREW, #8-32, BIN HEAD (A- OPT)	STEEL	ZN, CLEAR CHROMATE
2	XX	TERMINAL, FT, 8-32, SN/B	BRASS	TIN PLATE
1	1	INSULATOR, SINGLE ROW	POLYESTER (PBT)	BLACK

ADD -50-59 OPT	DESCRIPTION
EC NO: IP52014-1260	2013/10/31
DRAWN: JENCINAS	2013/10/31
CHKD: JMACNE IL	2014/03/10
APPR: JMACNE IL	

QUALITY SYMBOLS	GENERAL TOLERANCES (UNLESS SPECIFIED)
▽=0	mm INCH
▽=0	4 PLACES ± --- ± ---
	3 PLACES ± --- ± .005
	2 PLACES ± 0.13 ± .01
	1 PLACE ± 0.3 ± ---
	ANGULAR ± 2°

DRAFT WHERE APPLICABLE MUST REMAIN WITHIN DIMENSIONS	SEEN CHART	DATE	2014/03/10
		DATE	2013/08/27
		DATE	2013/08/27
		DATE	2014/03/10

DRAWN BY	JENCINAS	DATE	2013/08/27
CHECKED BY	JMACNE IL	DATE	2013/08/27
APPROVED BY	JMACNE IL	DATE	2014/03/10

SCALE	2:1	DESIGN UNITS	INCH	THIRD ANGLE PROJECTION
TITLE				
11.11/.438" SR BTS, INSUL TURRET, FT ASSY, #8-32 SCREWS				
MATERIAL NO. SEE CHART				
DOCUMENT NO. SD-38732-002				
SHEET NO. 1 OF 2				

1b_frome_B_P_ME_T Rev. D 2004/04/02 9 8 7 6 5 4 3 2 1

THIS DRAWING CONTAINS INFORMATION THAT IS PROPRIETARY TO MOLEX INCORPORATED AND SHOULD NOT BE USED WITHOUT WRITTEN PERMISSION

10 9 8 7 6 5 4 3 2 38732

NO. OF CIRCUITS	DIM. 'A'		DIM. 'B'		DIM. 'C'		DIM. 'D'		ASSEMBLY MATERIAL NO. (-A OPT)	ASSEMBLY MATERIAL NO. (-A-50 OPT)	ASSEMBLY MATERIAL NO. (-A-50-59 OPT)
	mm	in	mm	in	mm	in	mm	in			
02	43.5	1.71	11.11	.438	33.34	1.313	24.5	.97	38732-2502	38732-2702	
03	54.6	2.15	22.23	.875	44.45	1.750	35.7	1.40	38732-2503	38732-2703	
04	65.7	2.59	33.34	1.313	55.56	2.188	46.8	1.84	38732-2504	38732-2704	38739-0616
05	76.8	3.03	44.45	1.750	66.68	2.625	57.9	2.28	38732-2505	38732-2705	
06	87.9	3.46	55.56	2.188	77.79	3.063	69.0	2.72	38732-2506	38732-2706	
07	99.1	3.90	66.68	2.625	88.90	3.500	80.1	3.15	38732-2507	38732-2707	
08	110.2	4.34	77.79	3.063	100.01	3.938	91.2	3.59	38732-2508	38732-2708	38739-0617
09	121.3	4.78	88.90	3.500	111.13	4.375	102.3	4.03	38732-2509	38732-2709	
10	132.4	5.21	100.01	3.938	122.24	4.813	113.4	4.47	38732-2510	38732-2710	38739-0618
11	143.5	5.65	111.13	4.375	133.35	5.250	124.6	4.90	38732-2511	38732-2711	
12	154.6	6.09	122.24	4.813	144.46	5.688	135.7	5.34	38732-2512	38732-2712	
13	165.7	6.53	133.35	5.250	155.58	6.125	146.8	5.78	38732-2513	38732-2713	
14	176.8	6.96	144.46	5.688	166.69	6.563	157.9	6.22	38732-2514	38732-2714	
15	188.0	7.40	155.58	6.125	177.80	7.000	169.0	6.65	38732-2515	38732-2715	
16	199.1	7.84	166.69	6.563	188.91	7.438	180.1	7.09	38732-2516	38732-2716	
17	210.2	8.28	177.80	7.000	200.03	7.875	191.2	7.53	38732-2517	38732-2717	
18	221.3	8.71	188.91	7.438	211.14	8.313	202.3	7.97	38732-2518	38732-2718	
19	232.4	9.15	200.03	7.875	222.25	8.750	213.5	8.40	38732-2519	38732-2719	
20	243.5	9.59	211.14	8.313	233.36	9.188	224.6	8.84	38732-2520	38732-2720	
21	254.6	10.03	222.25	8.750	244.48	9.625	235.7	9.28	38732-2521	38732-2721	
22	265.7	10.46	233.36	9.188	255.59	10.063	246.8	9.72	38732-2522	38732-2722	
23	276.8	10.90	244.48	9.625	266.70	10.500	257.9	10.15	38732-2523	38732-2723	
24	288.0	11.34	255.59	10.063	277.81	10.938	269.0	10.59	38732-2524	38732-2724	
25	299.1	11.78	266.70	10.500	288.93	11.375	280.1	11.03	38732-2525	38732-2725	
26	310.2	12.21	277.81	10.938	300.04	11.813	291.2	11.47	38732-2526	38732-2726	
27	321.3	12.65	288.93	11.375	311.15	12.250	302.4	11.90	38732-2527	38732-2727	
28	332.4	13.09	300.04	11.813	322.26	12.688	313.5	12.34	38732-2528	38732-2728	
29	343.5	13.53	311.15	12.250	333.38	13.125	324.6	12.78	38732-2529	38732-2729	
30	354.6	13.96	322.26	12.688	344.49	13.563	335.7	13.22	38732-2530	38732-2730	

SEE SHEET ONE IEC NO: IP02014-1260 DRAWN: JENCINAS 2013/11/19 CHECKED: JMACNEIL 2014/03/10 APPR: JMACNEIL	QUALITY SYMBOLS ▽=0 ▽=0	GENERAL TOLERANCES (UNLESS SPECIFIED)		DIMENSION STYLE MM/IN		SCALE 2:1	DESIGN UNITS INCH	THIRD ANGLE PROJECTION	
		4 PLACES ± --- ± ---	3 PLACES ± --- ± .005	DRAWN BY JENCINAS	DATE 2013/08/27	TITLE 11.11/.438" SR.BTS. INSUL TURRET, FT ASSY, #8-32 SCREWS			
		2 PLACES ± 0.13 ± .01	1 PLACE ± 0.3 ± ---	CHECKED BY JMACNEIL	DATE 2013/08/27	MOLEX INCORPORATED			
		ANGULAR ± 2°		APPROVED BY JMACNEIL	DATE 2014/03/10	MATERIAL NO. SEE CHART	DOCUMENT NO. SD-38732-002	SHEET NO. 2 OF 2	
DRAFT WHERE APPLICABLE MUST REMAIN WITHIN DIMENSIONS				THIS DRAWING CONTAINS INFORMATION THAT IS PROPRIETARY TO MOLEX INCORPORATED AND SHOULD NOT BE USED WITHOUT WRITTEN PERMISSION					

9 8 7 6 5 4 3 2 1