

NOTES

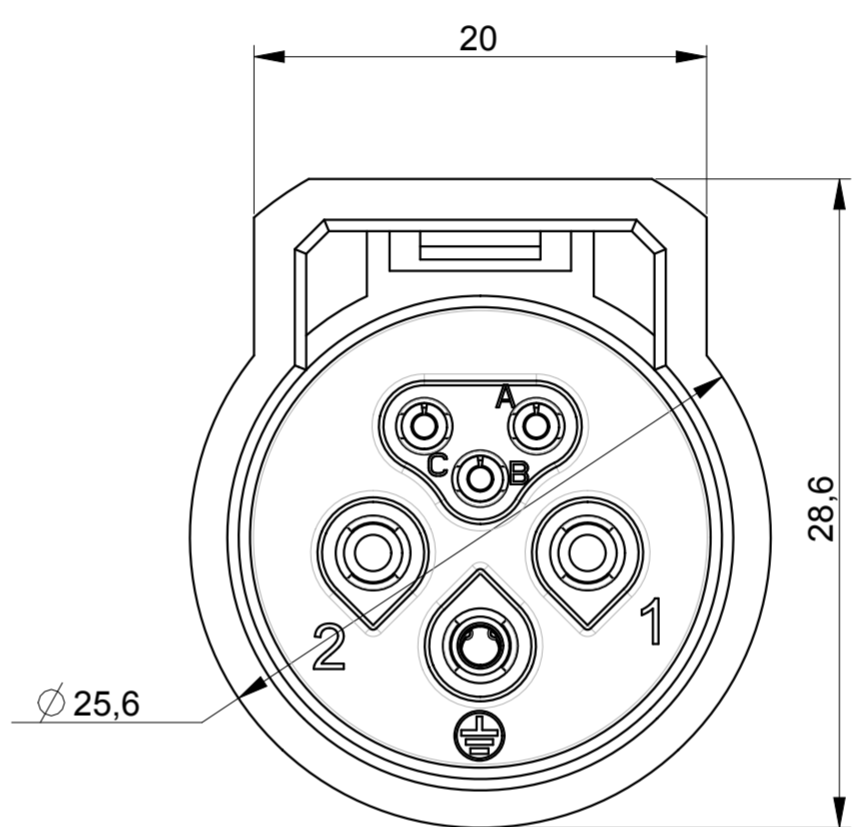
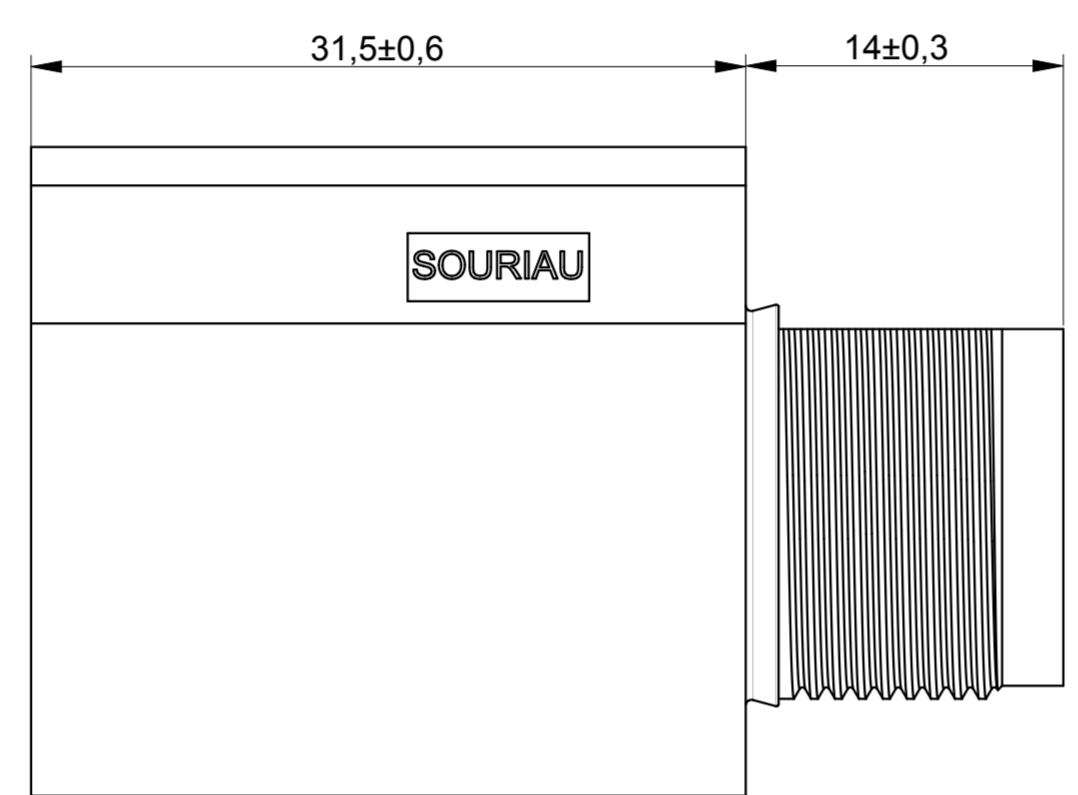
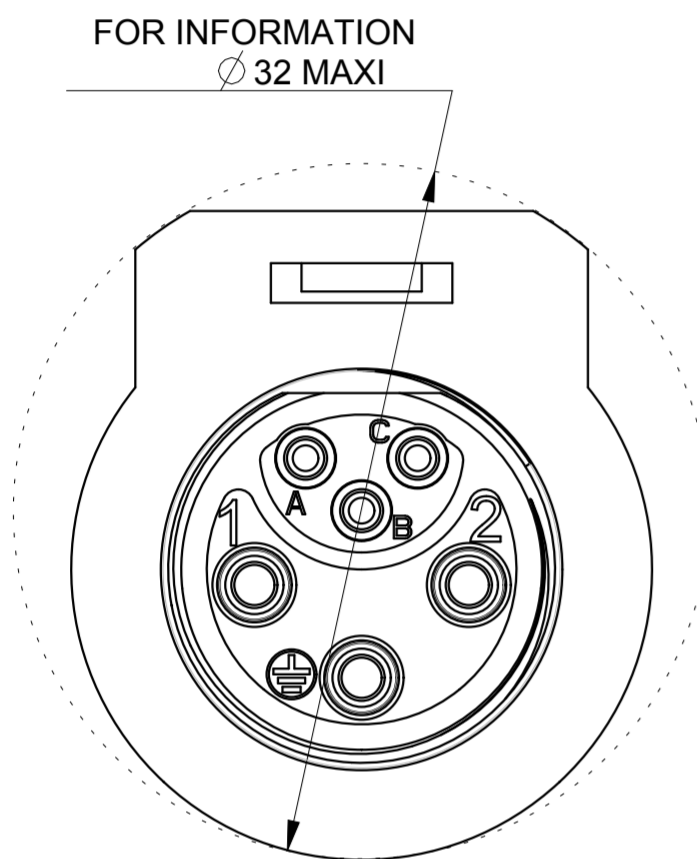
MATERIALS	SEE TABLE	
HOUSING		
PERFORMANCES CHARACTERISTICS		
MECHANICAL		
TEMPERATURE CLASS	IEC61984/UL1977	-40°C TO 105°C
DURABILITY	IEC61984	500 MATE / UNMATE CYCLES
SEALING IN MATED CONDITIONS	IEC60529	IP68 1BAR DURING 1WEEK
	DIN40050	IP69K
SEALING IN UNMATED CONDITIONS	IEC60529	IP67 WITH CAPS
POLLUTION DEGREE	IEC61984	4
CORROSION SALT SPRAY		MIN 1000H
FLAMMABILITY	UL94	MATERIAL RATING: 5VA
OUTDOOR SUITABILITY (UV RESIST)	UL746C	MATERIAL RATING: (f1)
SCOOP PROOF		
ELECTRICAL		
TOUCH PROOF	IEC60529	IP2X
POWER AND GROUND LINES:		
NOMINAL CURRENT	UL1977	16A WITH AWG14 WIRE / 13A WITH AWG16 WIRE
NOMINAL CURRENT	IEC61984	16A WITH 2.5MM ² WIRE / 13A WITH 1.5MM ² WIRE AT 60°C
NOMINAL VOLTAGE	UL1977	600V
NOMINAL VOLTAGE	IEC61984	250VAC 4KV 4 FOR CLASS II
	IEC61984	500VAC 6KV 4 FOR CLASS I
SIGNAL CONTAC (a,b,c) LINES:		
NOMINAL VOLTAGE	IEC61984	48V AC
NOMINAL CURRENT	IEC61984	5A

ROHS COMPLIANT

- COUNTERPART REFERENCE UTL PLUG
- CONNECTORS ARE DELIVERED AS PRE-ASSEMBLED KIT
- CONNECTOR BLOCKS ACCEPTS TRIM TRIO CONTACTS #16 AND #20, R*M* OR S*M* TYPES
- CONTACTS TO BE ORDERED SEPARATELY.
- WARNING: PHASE CONTACTS AND SIGNAL CONTACT ARE MALE VERSION AND GROUND CONTACT IS FEMALE VERSION
- UNIT IN MM

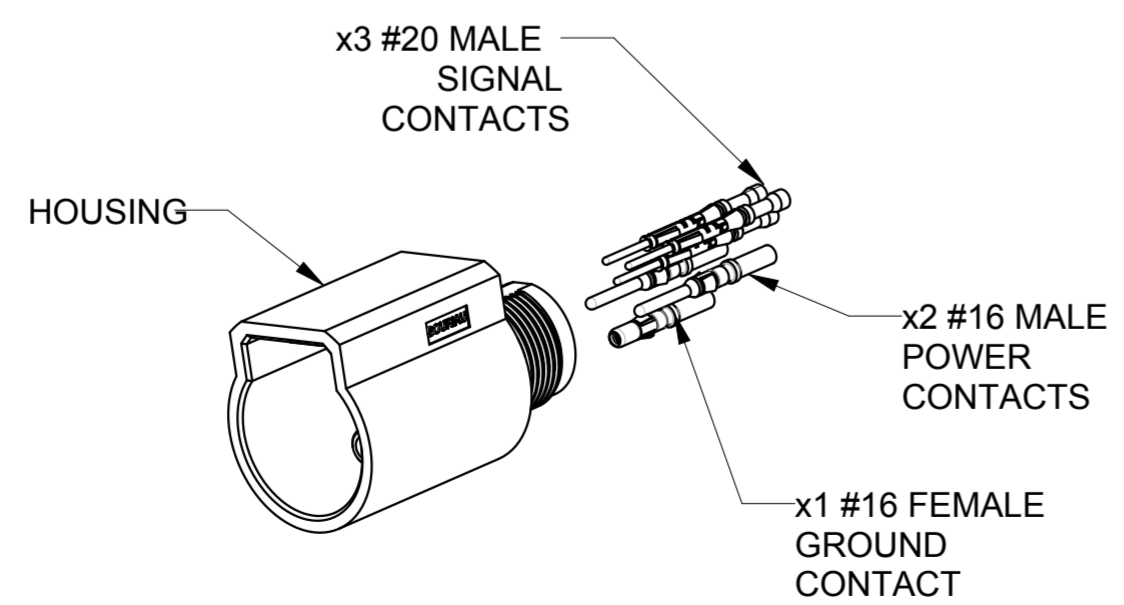
WIRING FACE

MATING FACE



P/N	HOUSING' S MATERIAL
UTL1102G1W3P	PA GF REINFORCED BLACK COLOR
UTL1102G1W3P03	PA GF REINFORCED LIGHT GREY COLOR

P/N : SEE TABLE



a	17/07/13	New drawing		
ISS	DATE	Latest modification - by: --		MOD N°
Designed by: R.M.		Date: 17/07/13	CUSTOMER DRAWING	
TITLE		MALE FREE HANGING LAYOUT 6 CONTACTS SIZE 10 UTL CONNECTOR		
Scale	1/1	General linear Tolerances: ± 0,2	NPRDS / PROJECT UTL	
SOURIAU WWW.SOURIAU.COM		This document is the property of SOURIAU It must not be reproduced or communicated without permission		
FORMAT	A2	SOURIAU DRG N° UTL1-0051A-C01		SHEET 1 / 1