



Excellent Integrated System Limited

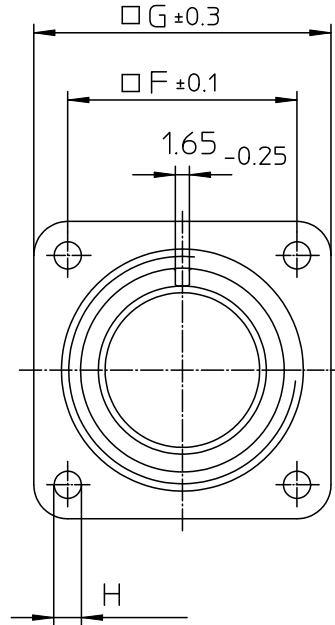
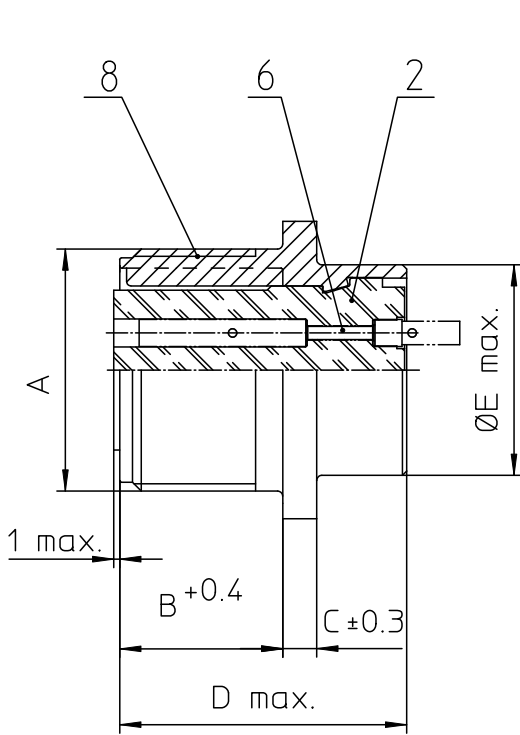
Stocking Distributor

Click to view price, real time Inventory, Delivery & Lifecycle Information:

[ITT Cannon, LLC](#)
[CA02COME20-2S](#)

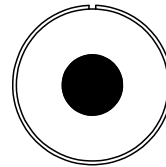
For any questions, you can email us directly:

sales@integrated-circuit.com



NO.	MASSE / DIMENSION
A	1 1/4-18UNEF-2A
B	19
C	4
D	34,2
E	29
F	29,4
G	38
H	3,1

NO.	BESCHREIBUNG / DESCRIPTION
2	ISOLIERKÖRPER BUCHSE / INSULATOR SOCKET
6	KONTAKTBUCHSE / CONTACT SOCKET
8	DOSENGEHÄUSE / SHELL



Note: Due to an automatic nomenclature system, numbers generated may not be sequential.
Specification and Dimensions subject to change Drawings illustrate normal insulator positioning
Material Specification:
Shell Material: Aluminium alloy
Shell Plating: Nickel plated
Insulator Material: CR-Elastomere
Contact Material: Copper alloy
Contact Plating: Hard silver

all dimensions are in mm Dimensions without tolerance indications are general tolerances in acc. with DIN7188m	drawing for CUSTOMER
ITT Engineered for life ITT Cannon GmbH D-71334 Weinstadt-Göppingen	description CA02COM-E20-2S Box mounting receptacle Solder Cup / Socket / Layout: 20-2
© All rights reserved. Reproduction or use in any form without the written authorization of ITT Cannon	page 1/1 revision 490 3. Jul 16