



Excellent Integrated System Limited

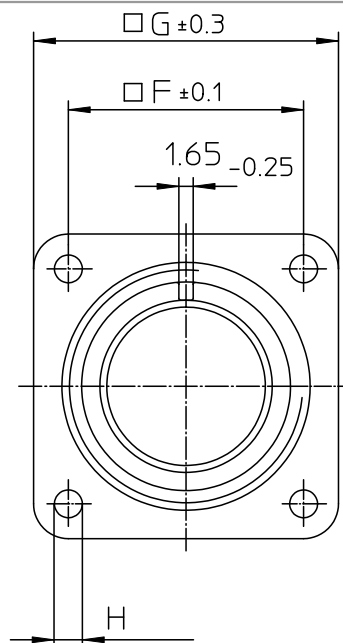
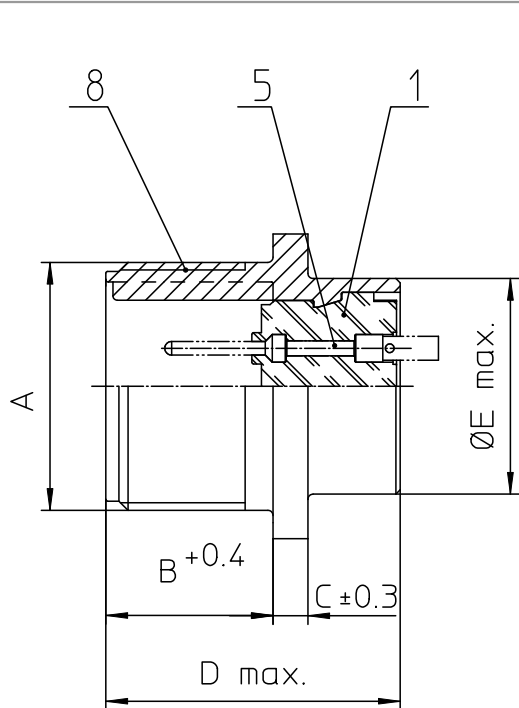
Stocking Distributor

Click to view price, real time Inventory, Delivery & Lifecycle Information:

[ITT Cannon, LLC](#)
[CA02COME22-14P01](#)

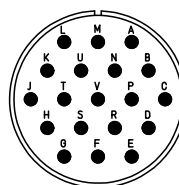
For any questions, you can email us directly:

sales@integrated-circuit.com



NO.	MASSE / DIMENSIONEN
A	13/18UNEF-2A
B	19
C	4
D	34,2
E	32,2
F	31,8
G	41
H	3,1

NO.	BESCHREIBUNG / DESCRIPTION
1	ISOLIERKÖRPER STIFT / INSULATOR PIN
5	KONTAKTSTIFT / CONTACT PIN
8	DOSENGEHÄUSE / SHELL



<small>Note: Due to an automatic nomenclature system, numbers generated may not be sequential.</small>
<small>Specification and Dimensions subject to change. Drawings illustrate normal insulator positioning.</small>
Material Specification:
Shell Material: Aluminium alloy
Shell Plating: Nickel plated
Insulator Material: CR-Elastomere
Contact Material: Copper alloy
Contact Plating: Hard silver

all dimensions are in mm <small>Dimensions without tolerance indications are general tolerances in acc. with DIN7168m</small>	drawing for CUSTOMER
ITT <small>Engineered for life</small> ITT CANNON GERMANY D 71028 Weinstadt-Gemsheim	description CA02COM-E22-14P-01 Box mounting receptacle
<small>© All rights reserved. Reproduction or issue to third in any form without prior written authorization of ITT Cannon</small>	Metric Crimp / Pin / Layout: 22-14
<small>page 1/1</small>	<small>revision 480.3, Jul 16</small>