



Excellent Integrated System Limited

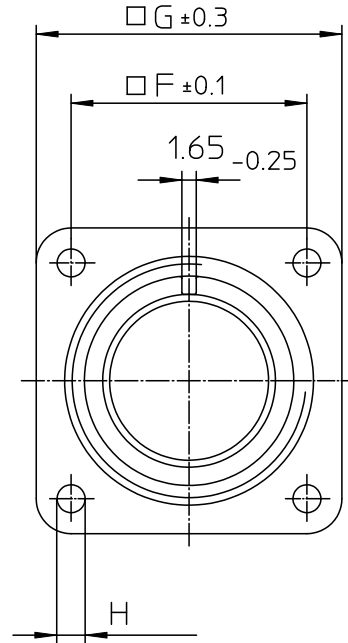
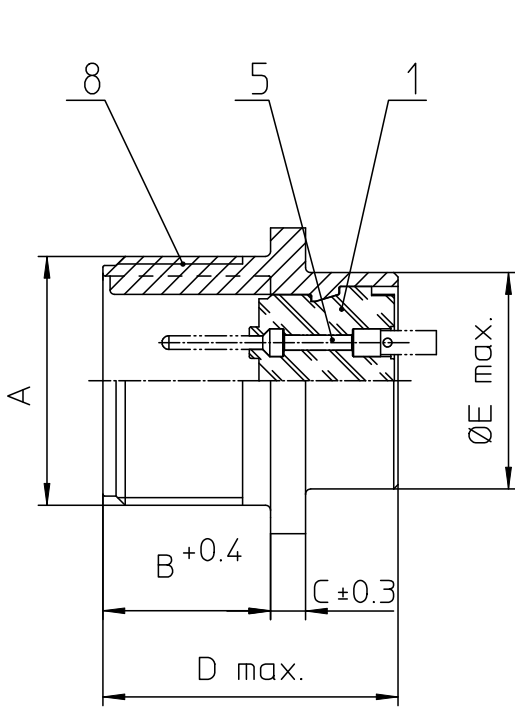
Stocking Distributor

Click to view price, real time Inventory, Delivery & Lifecycle Information:

[ITT Cannon, LLC](#)
[CA02COME22-20P](#)

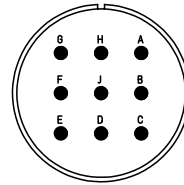
For any questions, you can email us directly:

sales@integrated-circuit.com



NO.	MASSE / DIMENSION
A	13/-18UNEF-2A
B	19
C	4
D	34,2
E	32,2
F	31,8
G	41
H	3,1

NO.	BESCHREIBUNG / DESCRIPTION
1	ISOLIERKÖRPER STIFT / INSULATOR PIN
5	KONTAKTSTIFT/ CONTACT PIN
8	DOSENGEHÄUSE / SHELL



Note: Due to an automatic nomenclature system, numbers generated may not be sequential.
Specification and Dimensions subject to change Drawings illustrate normal insulator positioning
Material Specification:
Shell Material: Aluminium alloy
Shell Plating: Nickel plated
Insulator Material: CR-Elastomere
Contact Material: Copper alloy
Contact Plating: Hard silver

all dimensions are in mm Dimensions without tolerance indications are general tolerances in acc. with DIN7168m	drawing for CUSTOMER
ITT Engineered for life ITT CANNON GmbH D-71364 Weinstadt-Göppingen	description CA02COM-E22-20P Box mounting receptacle
© All rights reserved. Reproduction or issue to third in any form without prior written authorization of ITT Cannon	Solder Cup / Pin / Layout: 22-20 page 1/1 revision 480.3, Jul 16