

Excellent Integrated System Limited

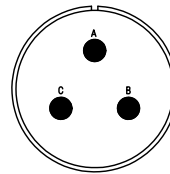
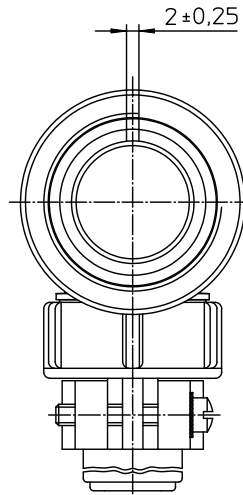
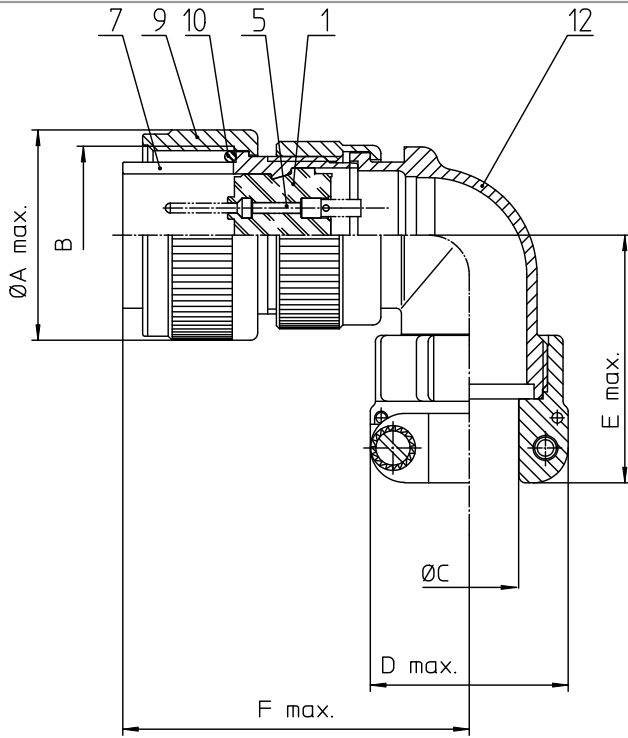
Stocking Distributor

Click to view price, real time Inventory, Delivery & Lifecycle Information:

[ITT Cannon, LLC](#)
[CA08COME22-2P](#)

For any questions, you can email us directly:

sales@integrated-circuit.com



NO.	MASSE / DIMENSION
A	40,5
B	1 3/-18UNEF-2A
C	19
D	37,5
E	53
F	61

NO.	BESCHREIBUNG / DESCRIPTION
1	ISOLIERKÖRPER STIFT / INSULATOR PIN
5	KONTAKTSTIFT / CONTACT PIN
7	ZYLINDERGHÄUSE / BARREL
9	ÜBERWURFMUTTER / COUPLING NUT
12	ENDGEHÄUSE / ENDBELL

<p>Note: Due to an automatic nomenclature system, numbers generated may not be sequential.</p> <p>Specification and Dimensions subject to change Drawings illustrate normal insulator positioning.</p>	
<p>Material Specification:</p>	
Shell Material:	Aluminium alloy
Shell Plating:	Nickel plated
Insulator Material:	CR-Elastomere
Contact Material:	Copper alloy
Contact Plating:	Hard silver

<p>ITT Engineered for life ITT Cannon GmbH D-73344 Weinstadt-Göppingen</p>	<p>description CA08COM-E22-2P Plug 90° Endbell with clamp and bushing Solder Cup / Pin / Layout: 22-2</p>	<p>drawing for CUSTOMER</p>
<p>© All rights reserved. Reproduction or reuse in any form without the prior written authorization of ITT Cannon</p>		<p>page 1/1 revision 493.3. Jul 16</p>