



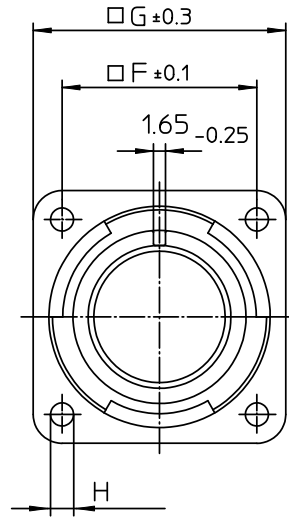
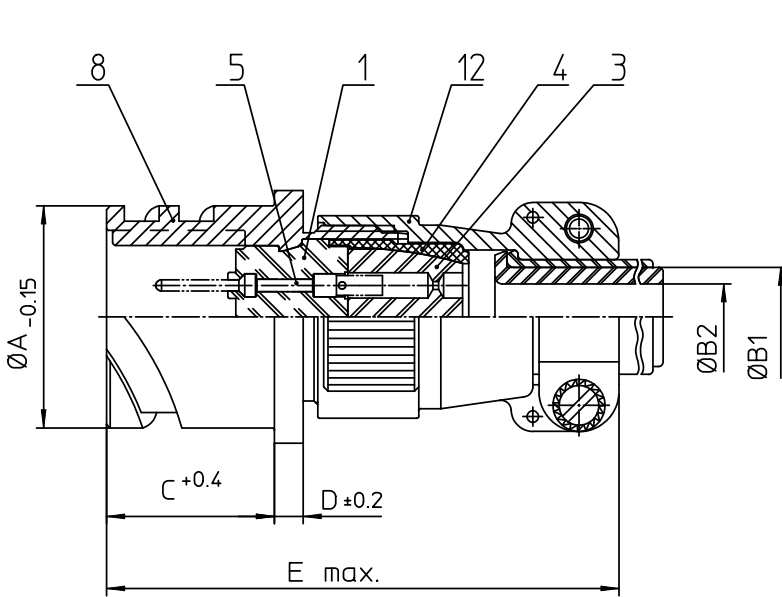
## **Excellent Integrated System Limited**

Stocking Distributor

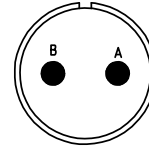
Click to view price, real time Inventory, Delivery & Lifecycle Information:

[ITT Cannon, LLC](#)  
[CA3100E12S-3PBF80-05](#)

For any questions, you can email us directly:  
[sales@integrated-circuit.com](mailto:sales@integrated-circuit.com)



NO.	MASSE / DIMENSION
A	21.4
B1	6.6
B2	-
C	18.2
D	3.2
E	57
F	20.6
G	28
H	3.2



NO.	BESCHREIBUNG / DESCRIPTION
1	ISOLIERKÖRPER STIFT / INSULATOR PIN
3	DICHTKÖRPER / GROMMET
4	ENDRING / ENDRING
5	KONTAKTSTIFT/ CONTACT PIN
8	DOSENGEHÄUSE / SHELL
12	ENDGEHÄUSE / ENDBELL

Note: Due to an automatic nomenclature system, numbers generated may not be sequential.  
Specification and Dimensions subject to change  
Drawings illustrate normal insulator positioning

Material Specification:	
Shell Material:	Aluminium alloy
Shell Plating:	Olive drab chromate over cadmium (conductive)
Insulator Material:	CR-Elastomere
Contact Material:	Copper alloy
Contact Plating:	Hard silver

all dimensions are in mm		Dimensions without tolerance indications are general tolerances in acc. with DIN7168m	drawing for CUSTOMER
 <b>ITT</b> Engineered for life <small>ITT CANNON GmbH                      D-71284 WinstedterGermany</small>	description	CA3100E12S-3P-B-F80-05	
		Box mounting receptacle (rear mount, through holes)	
		Endbell with clamp and bushing	
		AWG Crimp / Pin / Layout: 12S-3	
<small>© All rights reserved. Reproduction or issue in third in any form                      whatever is only permitted with written authorization of ITT Cannon</small>		page 1/1 revision 786 4. Jul 16	