



Distributor of ITT Cannon, LLC: Excellent Integrated System Limited

Datasheet of CA3100R12SA10SB - CONN RCPT 4POS WALL MNT SKT

Contact us: sales@integrated-circuit.com Website: www.integrated-circuit.com

Excellent Integrated System Limited

Stocking Distributor

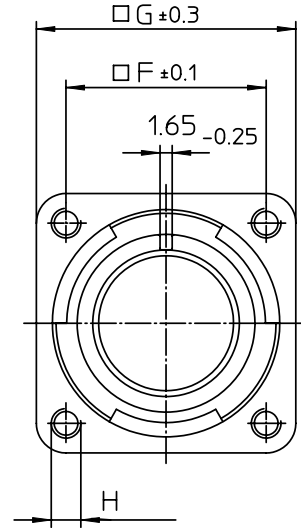
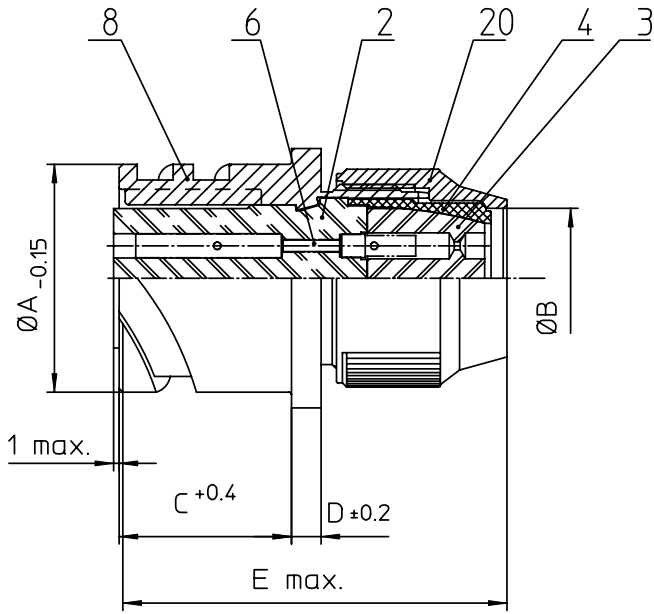
Click to view price, real time Inventory, Delivery & Lifecycle Information:

[ITT Cannon, LLC](#)

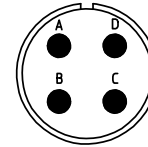
[CA3100R12SA10SB](#)

For any questions, you can email us directly:

sales@integrated-circuit.com




NO.	MASSE / DIMENSION
A	21.4
B	10.3
C	18.2
D	3.2
E	44
F	20.6
G	28
H	M4



NO.	BESCHREIBUNG / DESCRIPTION
2	ISOLIERKÖRPER BUCHSE / INSULATOR SOCKET
3	DICHTKÖRPER / GROMMET
4	ENDRING / ENDRING
6	KONTAKTBÜCHSE / CONTACT SOCKET
8	DOSENGEHÄUSE / SHELL
20	KURZES ENDGEHÄUSE/SHORT ENDBELL

Note: Due to an automatic nomenclature system, numbers generated may not be sequential.
Specification and Dimensions subject to change
 Drawings illustrate normal insulator positioning

Material Specification:	
Shell Material:	Aluminium alloy
Shell Plating:	Olive drab chromate over cadmium (conductive)
Insulator Material:	CR-Elastomere
Contact Material:	Copper alloy
Contact Plating:	Hard silver

all dimensions are in mm		Dimensions without tolerance indications are general tolerances in acc. with DIN7168m	drawing for
 ITT Engineered for life <small>ITT CANNON DESIGN</small> <small>© 1998 Integrated System Limited</small>		description	CUSTOMER
		CA3100R12SA10S-B Wall mounting receptacle Shortened light-weight endbell without cable clamp Solder Cup / Socket / Layout: 12SA10	
<small>© All rights reserved. Reproduction or issue to third in any form without prior written authorization of ITT Cannon</small>		page	revision
		1/1	786 4. Jul 16