



Distributor of ITT Cannon, LLC: Excellent Integrated System Limited

Datasheet of CA3101E16-11PF80 - CONN RCPT 2POS INLINE PIN

Contact us: sales@integrated-circuit.com Website: www.integrated-circuit.com

Excellent Integrated System Limited

Stocking Distributor

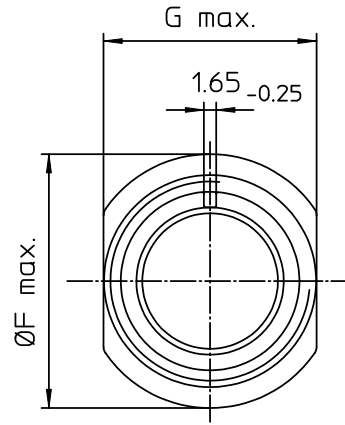
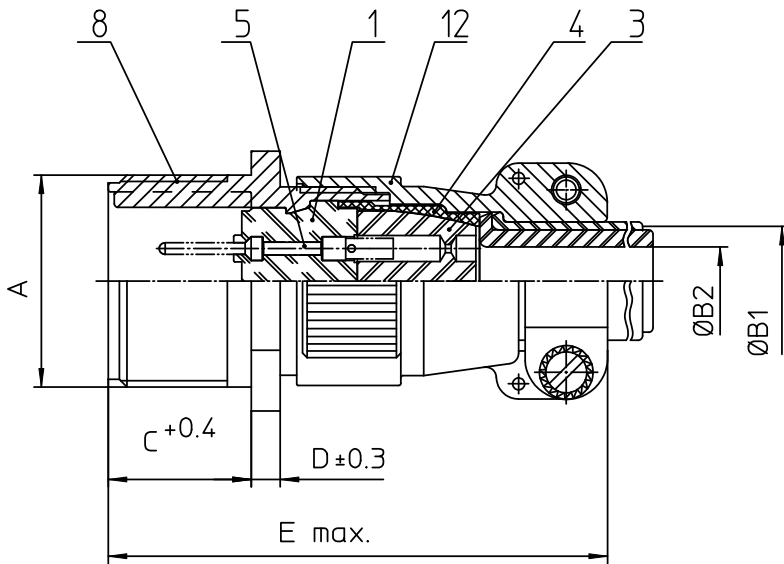
Click to view price, real time Inventory, Delivery & Lifecycle Information:

[ITT Cannon, LLC](#)

[CA3101E16-11PF80](#)

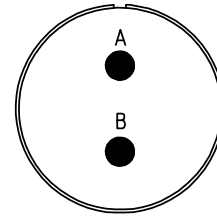
For any questions, you can email us directly:

sales@integrated-circuit.com



NO.	MASSE / DIMENSION
A	1-20UNEF-2A
B1	11.1
B2	-
C	19
D	3.2
E	66
F	31.4
G	25.7

NO.	BESCHREIBUNG / DESCRIPTION
1	ISOLIERKÖRPER STIFT / INSULATOR PIN
3	DICHTKÖRPER / GROMMET
4	ENDRING / ENDRING
5	KONTAKTSTIFT / CONTACT PIN
8	DOSENGEHÄUSE / SHELL
12	ENDGEHÄUSE / ENDBELL



Note: Due to an automatic nomenclature system, numbers generated may not be sequential.

Specification and Dimensions subject to change
Drawings illustrate normal insulator positioning

Material Specification:

Shell Material: Aluminium alloy
Shell Plating: Olive drab chromate coating over cadmium plating
Insulator Material: Neoprene
Contact Material: Copper alloy
Contact Plating: Hard silver

all dimensions are in mm
Dimensions without tolerance indications are general tolerances in acc. with DIN7168m

drawing for
CUSTOMER



ITT

Engineered for life
ITT CANNON GmbH
D-75394 Weinstadt, Germany

description CA3101E16-11P-F80
Cable connecting plug
Endbell with clamp and bushing
AWG Crimp / Pin / Layout: 16-11

© All rights reserved. Reproduction or issue to third in any form
whatever is only permitted with written authorization of ITT Cannon



page 1/1
revision 377.3, Jul 16