



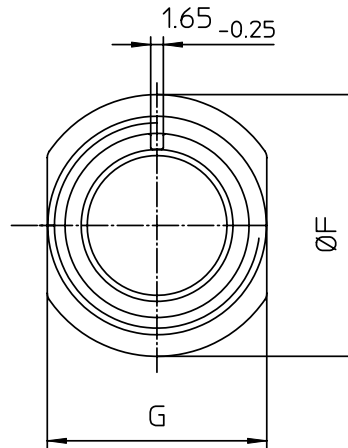
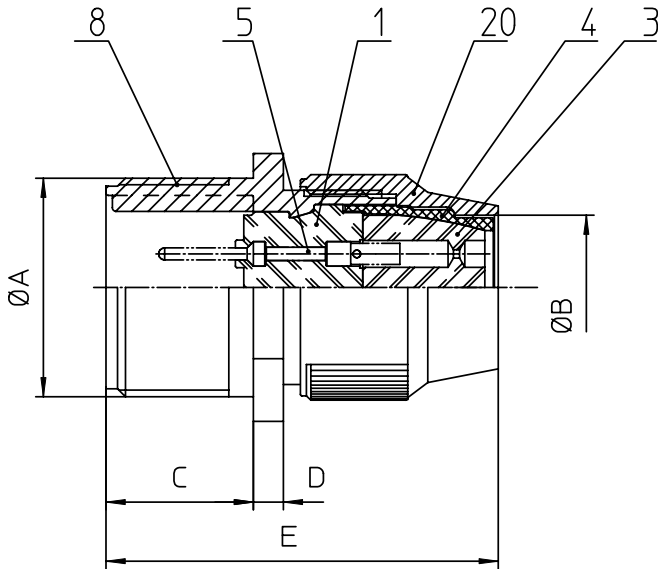
Excellent Integrated System Limited

Stocking Distributor

Click to view price, real time Inventory, Delivery & Lifecycle Information:

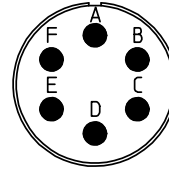
[ITT Cannon, LLC](#)
[CA3101R14S-6PF80](#)

For any questions, you can email us directly:
sales@integrated-circuit.com




NO.	MASSE / DIMENSION
A	7/8-20UNEF-2A
B	12.4
C	14.2
D	2
E	41
F	28.2
G	22.5

NO.	BESCHREIBUNG / DESCRIPTION
1	ISOLIERKÖRPER STIFT / INSULATOR PIN
3	DICHTKÖRPER / GROMMET
4	ENDRING / ENDRING
5	KONTAKTSTIFT/ CONTACT PIN
8	DOSENGEHÄUSE / SHELL
20	KURZES ENDGEHÄUSE/SHORT ENDBELL



Note: Due to an automatic nomenclature system, numbers generated may not be sequential.
Specification and Dimensions subject to change Drawings illustrate normal insulator positioning
Material Specification:
Shell Material: Aluminium alloy
Shell Plating: Olive drab chromate coating over cadmium plating
Insulator Material: Neoprene
Contact Material: Copper alloy
Contact Plating: Hard silver

all dimensions are in mm Dimensions without tolerance indications are general tolerances in acc. with DIN7168m	drawing for CUSTOMER
 Engineered for life ITT CANNON GROUP 91-71388-00000 Summary	description CA3101R14S-6P-F80 Cable connecting plug Shortened light-weight endbell without cable clamp AWG Crimp / Pin / Layout: 14S-6
© All rights reserved. Reproduction or issue to third in any form whenever & only permitted with written authorization of ITT Cannon	page 1/1 revision 377 3. Jul 16