



## **Excellent Integrated System Limited**

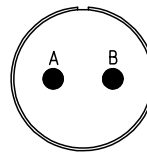
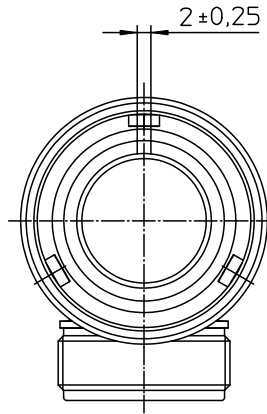
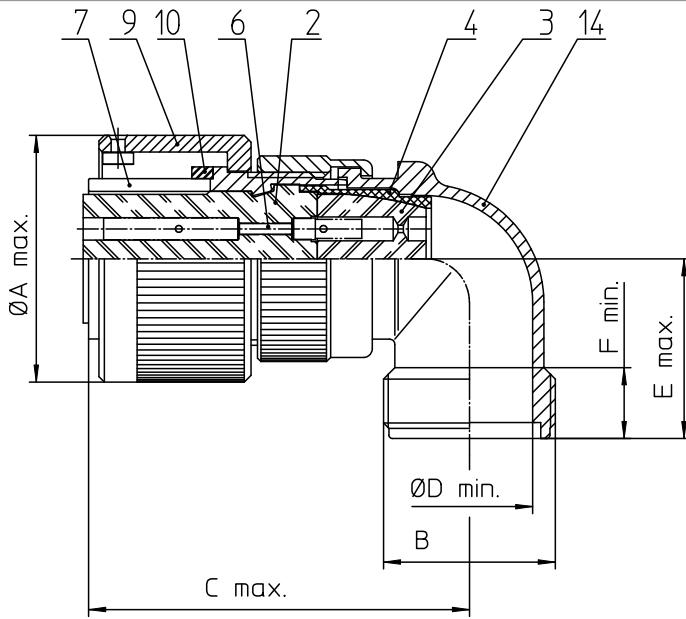
Stocking Distributor

Click to view price, real time Inventory, Delivery & Lifecycle Information:

[ITT Cannon, LLC](#)  
[CA3108F14S-9SYBF80](#)

For any questions, you can email us directly:

[sales@integrated-circuit.com](mailto:sales@integrated-circuit.com)



NO.	MASSE / DIMENSION
A	29.2
B	3/4-20UNEF-2A
C	47
D	12.2
E	24
F	9.4

NO.	BESCHREIBUNG / DESCRIPTION
2	ISOLIERKÖRPER BUCHSE / INSULATOR SOCKET
3	DICHTKÖRPER / GROMMET
4	ENDRING / ENDRING
6	KONTAKTBUCHSE / CONTACT SOCKET
7	ZYLINDERGHÄUSE / BARREL
9	ÜBERWURFMUTTER / COUPLING NUT
10	DICHTRING FRONT / FRONT SEALING RING
14	F-ENDGEHÄUSE / F-ENDBELL

Note: Due to an automatic nomenclature system, numbers generated may not be sequential.

Specification and Dimensions subject to change  
Drawings illustrate normal insulator positioning

Material Specification:

Shell Material: Aluminium alloy  
Shell Plating: Olive drab chromate over cadmium (conductive)  
Insulator Material: CR-Elastomere  
Contact Material: Copper alloy  
Contact Plating: Hard silver

all dimensions are in mm  
Dimensions without tolerance indications are general tolerances in acc. with DIN7180m

drawing for CUSTOMER

description CA3108F14S-9SYB-F80  
Plug, 90°  
Endbell for flex tube  
AWG Crimp / Socket / Layout: 14S-9

ITT  
Engineered for life  
ITT CANADA CORP.  
5 - 7124 Westside/Germany

© All rights reserved. Reproduction or use in any form without written authorization of ITT Cannon

page 1/1  
revision 786 4. Jul 16