

Excellent Integrated System Limited

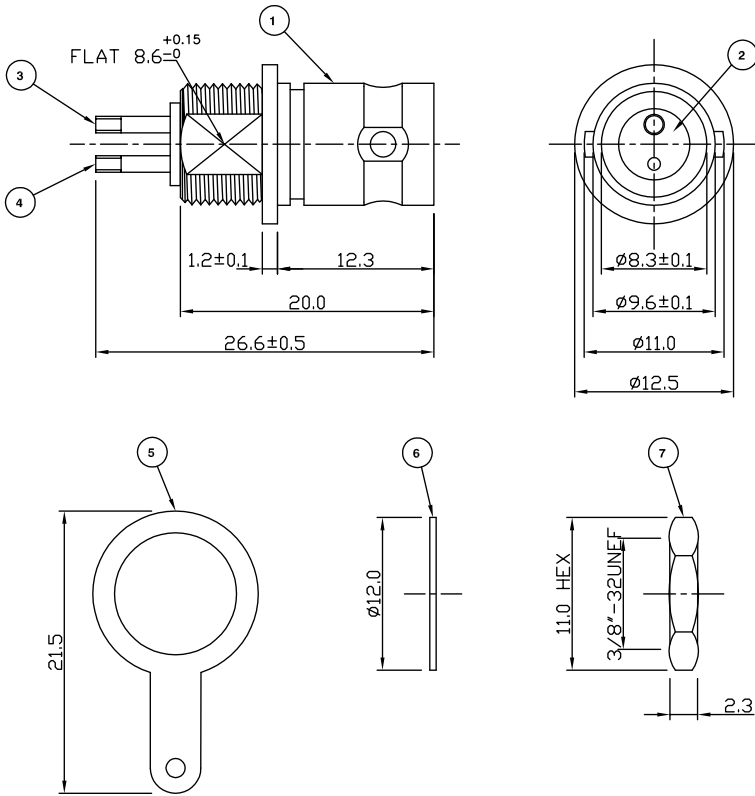
Stocking Distributor

Click to view price, real time Inventory, Delivery & Lifecycle Information:

[Bel Fuse Inc.](#)
[VBT40-2031](#)

For any questions, you can email us directly:
sales@integrated-circuit.com

RoHS COMPLIANT



Electrical Characteristics

| | |
|-------------------------------------|-----------------------------|
| Nominal Impedance: | Non Constant |
| Frequency Range: | DC to 200MHz (500MHz max) |
| Operating Voltage (rms): | 500 V maximum at sea level |
| Dielectric Withstand Voltage (rms): | 1500 V maximum at sea level |
| Contact Resistance: | 1.5 milliohms maximum |
| Insulation Resistance: | 5000 megohms minimum |

Mechanical Characteristics

| | |
|-----------------------|-----------------------|
| Mating Cycles: | 500 cycles minimum |
| Interface Dimensions: | Conform to MIL-C-3655 |

Environmental Characteristics

| | |
|--------------------|------------------|
| Temperature Range: | -55 °C to +85 °C |
|--------------------|------------------|

| PART | DESCRIPTION |
|------|--------------------------------|
| 1 | Body Brass, nickel plated |
| 2 | Dielectric PBT |
| 3 | Contact Be Cu, gold plated |
| 4 | Contact Brass, gold plated |
| 5 | Washer Brass, nickel plated |
| 6 | Washer Brass, nickel plated |
| 7 | Nut Brass, nickel plated |

| | | | |
|-------------------------|-------|-----|-----------|
| CAD Issue | SN | 2 | 04 Oct 02 |
| First Issue | AT | 1 | 19 Dec 94 |
| DESCRIPTION OF REVISION | APPVD | ISS | DATE |



Cinch Connectivity Solutions
 7-13 Russel Way,
 Widford Industrial Estate,
 Chelmsford, Essex,
 CM1 3AA, UK.
 Tel: +44 (0) 1245 359515
 Fax: +44 (0) 1245 358938

SCALE: Not To Scale
 DIMENSIONS: mm
 TOLERANCES:
 ± 0.2mm unless
 otherwise stated

DRAWN BY: S Nash
 CHECKED BY: P Couzens
 APPROVED BY: P Couzens
 DATE: 04 Oct 02

TITLE:
 Twin BNC Bulkhead Jack

PART NUMBER:
VBT40-2031
 PAGE: 1 of 1