



## **Excellent Integrated System Limited**

Stocking Distributor

Click to view price, real time Inventory, Delivery & Lifecycle Information:

[Amphenol RF](#)  
[000-4500](#)

For any questions, you can email us directly:

[sales@integrated-circuit.com](mailto:sales@integrated-circuit.com)

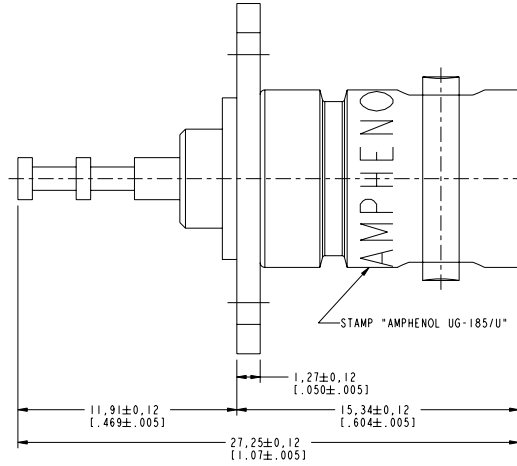
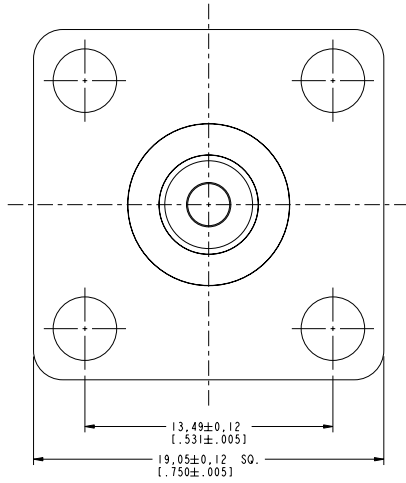
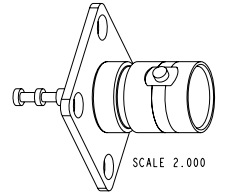
NOTES:

1. MATERIALS AND FINISHES:  
 BODY - BRASS, NICKEL PLATING  
 CONTACT - BERYLLIUM COPPER, SILVER PLATING  
 INSULATOR - COPOLYMER OF STYRENE, NATURAL
2. ELECTRICAL:  
 A. IMPEDANCE: 50 OHM  
 B. FREQUENCY RANGE: DC - 4 GHz  
 C. DIELECTRIC WITHSTANDING VOLTAGE: 1500 VRMS, MIN.
3. MECHANICAL:  
 A. DURABILITY: 500 CYCLES MIN.  
 B. TEMPERATURE RANGE: -65° C TO +165° C

THIRD ANGLE PROJ.

REVISIONS

REV	DESCRIPTION	DATE	ECO	APPR
U	STAMP "AMPHENOL " WAS "74868 " \RD-DM12033001R3	03-May-12	48876	SH



**CUSTOMER OUTLINE DRAWING**  
 ALL OTHER SHEETS ARE FOR INTERNAL USE ONLY

UNLESS OTHERWISE SPECIFIED, DIMENSIONS ARE IN METRIC AND TOLERANCES ARE: <math>\pm 0.5mm</math>   <math>0.5 - 6mm</math>   <math>6 - 30mm</math>   <math>30 - 120mm</math>   ANGLES <math>\pm 0.05mm</math>   <math>\pm 0.1mm</math>   <math>\pm 0.2mm</math>   <math>\pm 0.3mm</math>   <math>\pm 1^\circ</math> NOTICE - These drawings, specifications, or other data (1) are, and remain the property of Amphenol Corp. (2) must be returned upon request; and (3) are confidential and not to be disclosed to any person other than those to whom they are given by Amphenol Corp. The furnishing of these drawings, specifications, or other data by Amphenol Corp., or to any other person to anyone for any purpose is not to be regarded by implication or otherwise in any manner licensing, granting rights to permitting such holder or any other person to manufacture, use or sell any product, process or design, patented or otherwise, that may in any way be related to or disclosed by said drawings, specifications, or other data.	MATERIAL	DRAWN	DATE	TITLE	Amphenol RF www.amphenolrf.com DRAWING NO. 4500 ITEM NO. 4500 PART NO. 4500
	-	R. MAO	01-Mar-12	BNC RECEPTACLE	
	REFERENCE	ENGINEER	DATE	#1 FLANGE	
	MOTOROLA 9A210055 H42 RC 10097 GEN# ASSY3.BNC	T. AUBIN	06-Mar-00	TURRET TERM. UG-185/U	
FINISH	APPROVED	DATE	SCALE: 5.0:1.0	SHEET 2 OF 2	
	S. HSIEH	01-Mar-12	DWG SIZE	REV	
	CAD FILE		B	U	