



Excellent Integrated System Limited

Stocking Distributor

Click to view price, real time Inventory, Delivery & Lifecycle Information:

[Amphenol RF](#)
[031-5539-RFX](#)

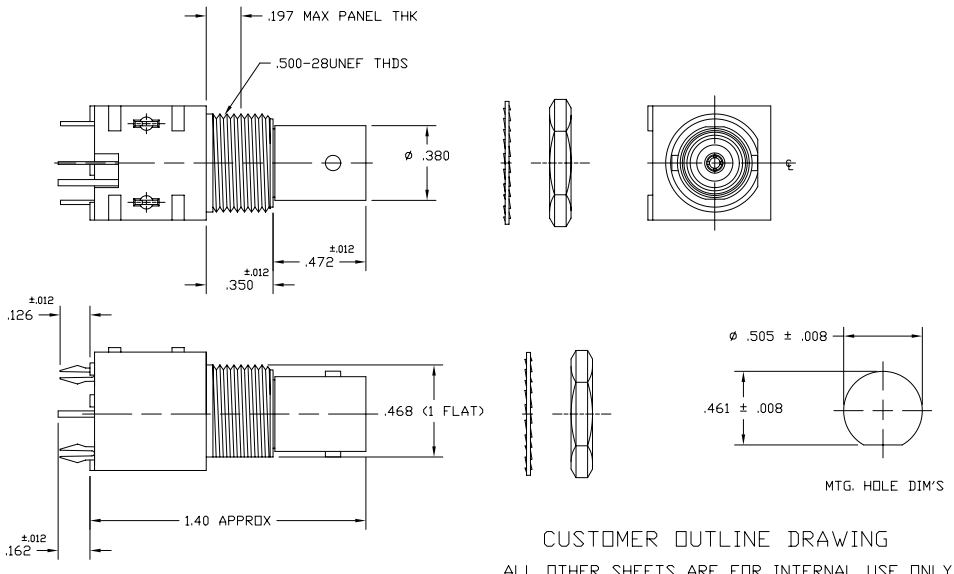
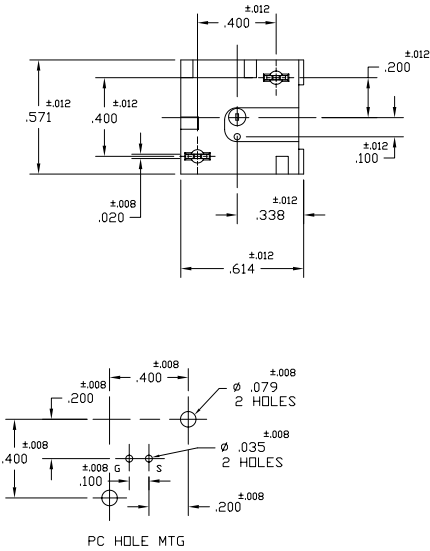
For any questions, you can email us directly:

sales@integrated-circuit.com

NOTES:

- MATERIAL: OUTER INSULATOR CASING - BLACK VALDIX
INSULATOR - WHITE NDRL
CENTER CONTACT - GOLD PLATED PHOSPHOR BRONZE
BODY - NICKEL PLATED ZINC CASTING
MOUNTING LEGS - TIN PLATED
TERMINALS - TIN PLATED COPPER WIRE
LOCKWASHER - NICKEL PLATED BRASS
HEX NUT - NICKEL PLATED S50C
- WHEN ASSEMBLING TO PANEL, MOUNTING HARDWARE (SEPARATELY SUPPLIED) MUST BE TIGHTENED TO 10 IN LBS. MIN., 15 IN LBS. MAX.
- DO NOT SCALE THIS DRAWING.
- UNLESS OTHERWISE SPECIFIED, ALL DIMENSIONS ARE AFTER PLATING.

| DRAWING NO. | | REV | DESCRIPTION | DATE | ECO | APPR |
|-------------|--|-----|-----------------|--------|-------|------|
| 31-5539-RFX | | A | RELEASE TO MFG. | 7/7/05 | 45623 | CPM/ |



UNLESS OTHERWISE SPECIFIED, DIMENSIONS ARE IN INCHES AND TOLERANCES ARE:
 2 PLACE DECIMAL ±.015 (0.381 mm)
 3 PLACE DECIMAL ±.005 (0.127 mm)
 ANGLES ± 1'

NOTICE - These drawings, specifications, or other data (1) are, and remain the property of Amphenol Corp. (2) must be returned upon request; and (3) are confidential and not to be disclosed to any person other than those to whom they are given by Amphenol Corp. The furnishing of these drawings, specifications, or other data by Amphenol Corp., or to any other person to anyone for any purpose is not to be regarded by implication or otherwise in any manner licensing, granting rights or permitting such holder or any other person to manufacture, use or sell any product, process or design, patented or otherwise, that may in any way be related to or disclosed by said drawings, specifications, or other data.

| | | | | | | | | | | | |
|-----------|----------|--|------|---------|---------|---|---|------------|--------------|-------------|---|
| MATERIAL | DRAWN | C. McGRATH | DATE | 5/18/05 | TITLE | BNC JACK VERT. MOUNT PCB RECEPT (BLK) | Amphenol Amphenol Corporation RF/Microwave Operations Danbury, Conn. U.S.A. 06810 | SCALE: 2:1 | SHEET 2 OF 2 | ISSUE | A |
| | ENGINEER | D. BARTHELMES | DATE | 5/18/05 | | | | | | | |
| REFERENCE | APPROVED | M. HOYACK | DATE | 6/29/05 | CODE ID | 74868 | DWG SIZE | B | DRAWING NO. | 31-5539-RFX | |
| | CAD FILE | H:\DEPT611\BNC\031\ASSY\5539\RF\XSH2.DWG | | | | | | | | | |