



Excellent Integrated System Limited

Stocking Distributor

Click to view price, real time Inventory, Delivery & Lifecycle Information:

[Amphenol RF](#)
[031-5858-RFX](#)

For any questions, you can email us directly:
sales@integrated-circuit.com



Distributor of Amphenol RF: Excellent Integrated System Limited
 Datasheet of 031-5858-RFX - TNC CRIMP BLKHD JACK/RG-58

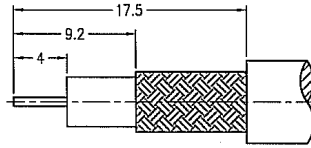
NOTES:

- MATERIALS AND FINISHES
 BODY - BRASS, NICKEL PLATING
 CONTACT - PHOSPHOR BRONZE, GOLD PLATING
 INSULATOR - PTFE
- ELECTRICAL:
 A. IMPEDANCE: 50 OHM
 B. FREQUENCY RANGE: DC 0-11 GHz
 C. DIELECTRIC WITHSTANDING VOLTAGE: 1500 VRMS, MIN.
- MECHANICAL:
 A. DURABILITY: 500 CYCLES MIN.
 B. TEMPERATURE RANGE: - 65°C to +165°C
- CRIMPED FERRULE
 HEX CRIMP SIZE .213"
- CRIMPED CONTACT PIN
 HEX CRIMP SIZE .068"

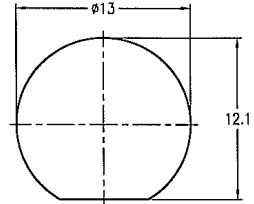
THIRD ANGLE PROJ.

REVISIONS

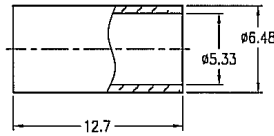
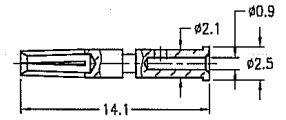
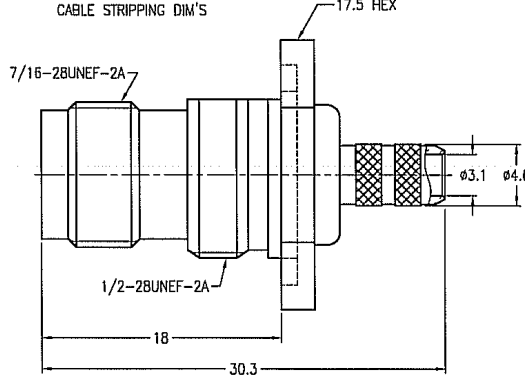
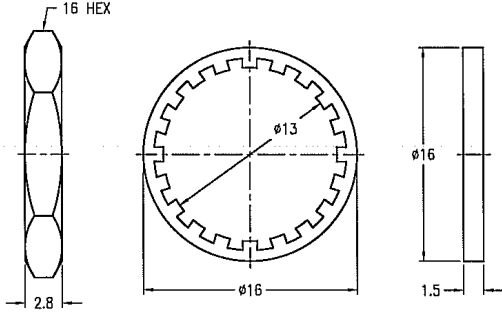
REV	DESCRIPTION	DATE	ECO	APPR
B	REDRAWN TO UPDATE FORMAT	31-Jul-08	47079	---



RECOMMENDED CABLE STRIPPING DIM'S



RECOMMENDED MOUNTING HOLE



CUSTOMER OUTLINE DRAWING
 ALL OTHER SHEETS ARE FOR INTERNAL USE ONLY

UNLESS OTHERWISE SPECIFIED, DIMENSIONS ARE IN METRIC AND TOLERANCES ARE: 0.5 - 6mm ±0.1mm 6 - 30mm ±0.2mm 30 - 120mm ±0.3mm ANGLES ±1°	MATERIAL	DRAWN BETTY.L ENGINEER MARK.C APPROVED MARK.C CAD FILE F:\DWG\1\6421A1\58U-50\TNC-BSZ	DATE 05-Jun-00 DATE 05-Jun-00 DATE 05-Jun-00	TITLE TNC BULKHEAD CRIMP JACK	Amphenol RF Danbury CT USA, Tainan Taiwan, Shenzhen China www.amphenolrf.com
	REFERENCE	SCALE: 2.5/1	SHEET 2 OF 2	ITEM NO. 026421AAC58NA5F	
	FINISH	DWG SIZE B	CODE ID 74868	REV B	PART NO. 031-5858-RFX
	NOTICE - These drawings, specifications, or other data (1) are, and remain the property of Amphenol Corp. (2) must be returned upon request; and (3) are confidential and not to be disclosed to any person other than those to whom they are given by Amphenol Corp. The furnishing of these drawings, specifications, or other data by Amphenol Corp., or to any other person to anyone for any purpose is not to be regarded by implication or otherwise in any manner licensing, granting rights or permitting such holder or any other person to manufacture, use or sell any product, process or design, patented or otherwise, that may in any way be related to or disclosed by said drawings, specifications, or other data.				DRAWING NO. T6421A1-NT3G-58U-50