



Excellent Integrated System Limited

Stocking Distributor

Click to view price, real time Inventory, Delivery & Lifecycle Information:

[Amphenol RF](#)
[031-6290](#)

For any questions, you can email us directly:

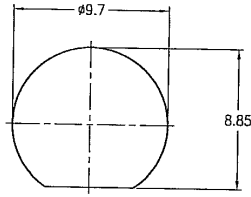
sales@integrated-circuit.com



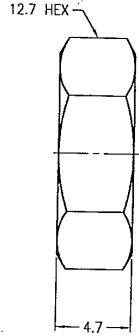
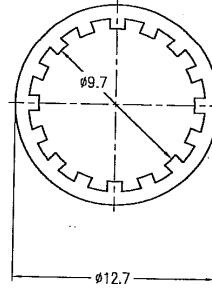
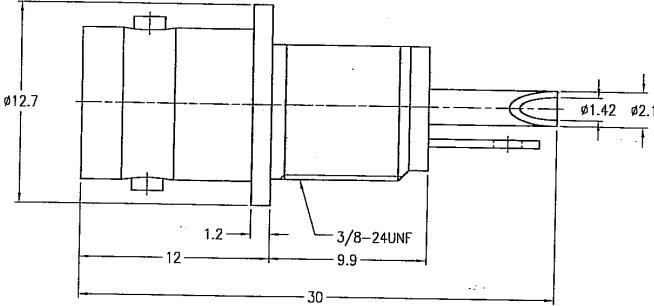
Distributor of Amphenol RF: Excellent Integrated System Limited
 Datasheet of 031-6290 - BNC BHD RCPT ISOLATED JACK

- NOTES:
- MATERIALS AND FINISHES(PLATING THICKNESS IN MICRO-INCHES):
 BODY - BRASS, NICKEL PLATING
 CONTACT - BERYLLIUM COPPER, GOLD PLATING
 INSULATOR - NYLON
 - ELECTRICAL:
 A. IMPEDANCE: 50 OHM
 B. DIELECTRIC WITHSTANDING VOLTAGE: 1000 VRMS, MIN.
 - MECHANICAL:
 A. DURABILITY: 2500 CYCLES MIN.
 B. TEMPERATURE RANGE: - 65°C to +165°C
 - MAX. PANEL THICKNESS=3.2mm

THIRD ANGLE PROJ.		REVISIONS			
REV	DESCRIPTION	DATE	ECO	APPR	
A	RELEASE TO MFG.	05-Oct-06	46291	CISSY	



RECOMMENDED MOUNTING HOLE



RECOMMENDED TORQUE: A MAXIMUM TORQUE OF 12 INCH-LBS MAY BE APPLIED ON HEX NUT WHEN MOUNTING CONNECTOR IN PANEL.

CUSTOMER OUTLINE DRAWING
 ALL OTHER SHEETS ARE FOR INTERNAL USE ONLY

UNLESS OTHERWISE SPECIFIED, DIMENSIONS ARE IN METRIC AND TOLERANCES ARE:
 0.5 - 6mm ±0.1mm
 6 - 30mm ±0.2mm
 30 - 120mm ±0.3mm
 ANGLES ±1°

NOTICE - These drawings, specifications, or other data (1) are, and remain the property of Amphenol Corp. (2) must be returned upon request; and (3) are confidential and not to be disclosed to any person other than those to whom they are given by Amphenol Corp. The furnishing of these drawings, specifications, or other data by Amphenol Corp., or to any other person for any purpose is not to be regarded by implication or otherwise in any manner licensing, granting rights or permitting such holder or any other person to manufacture, use or sell any product, process or design, patented or otherwise, that may in any way be related to or disclosed by said drawings, specifications, or other data.

MATERIAL	DRAWN	CISSY	DATE	05-Oct-06	TITLE	BNC BULKHEAD RECEPT. ISOLATED JACK			Amphenol RF Danbury CT USA, Tainan Taiwan, Shenzhen China www.amphenolrf.com	
	ENGINEER	<i>Craft</i>	DATE	05-Oct-06		DRAWING NO.	B6651B1-004-NNYL5G-50			
	APPROVED	<i>Sam</i>	DATE	10/5/06		SCALE:	1/1	SHEET		2 OF 2
	CAD FILE	F:\DWG\B\6651B1\004\50\NNYL5G5Z				DWG SIZE	B	CODE ID		7486B
REFERENCE	EAR#2150				ITEM NO.	016651AAJ01JYSF				
FINISH					PART NO.	031-6290				