

Excellent Integrated System Limited

Stocking Distributor

Click to view price, real time Inventory, Delivery & Lifecycle Information:

[Amphenol RE](#)
[081-115-RFX](#)

For any questions, you can email us directly:
sales@integrated-circuit.com

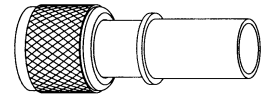


Distributor of Amphenol RF: Excellent Integrated System Limited
Datasheet of 081-115-RFX - MINI UHF PLUG

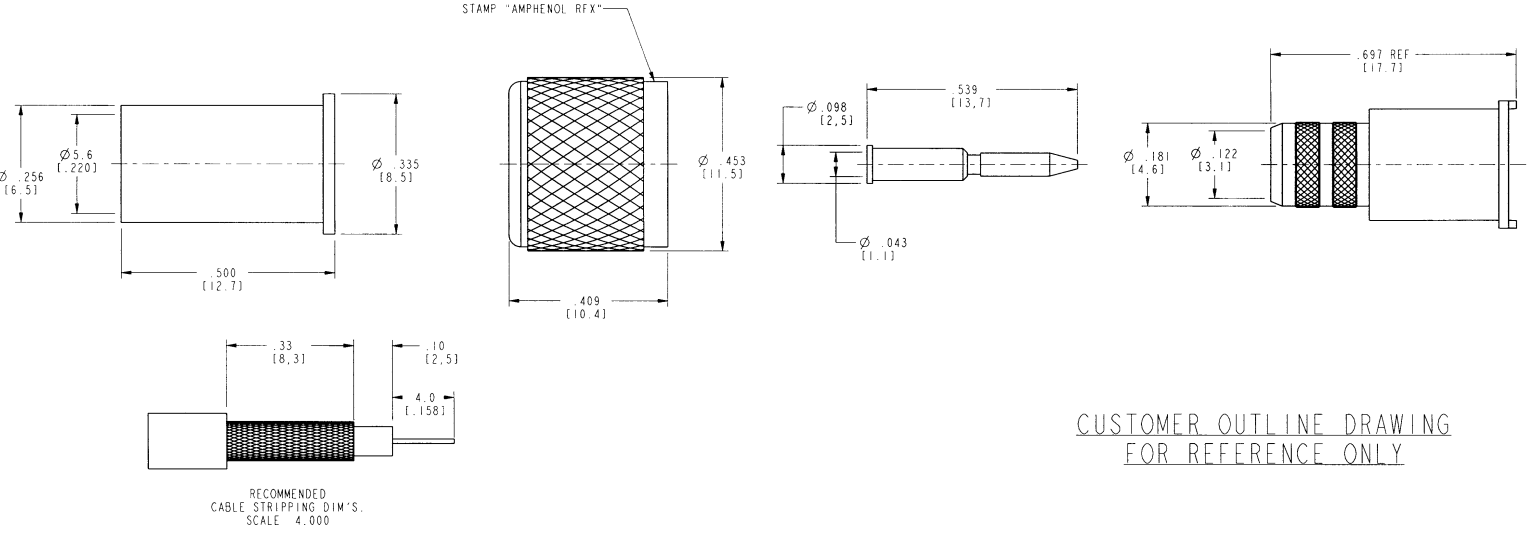
NOTES:

1. MATERIALS OF CONSTRUCTION:
 BODY, FERRULE, & SHELL - BRASS, NICKEL PLATE.
 CONTACT PIN - BRASS, GOLD PLATE.
 INSULATOR - PTFE
2. DO NOT SCALE THIS DRAWING
3. NON-CAPTIVATED CONTACT - .043 WIRE ENTRY.
4. PACKAGE CONNECTOR AS FOLLOWS:
5. CRIMP FERRULE WITH HEX CRIMP .213. CRIMP CONTACT PIN WITH HEX CRIMP .068.

81-115-RFX		REVISIONS			
DRAWING NO.	REV	DESCRIPTION	DATE	ECO	APPR
THIRD ANGLE PROJ	--	RELEASE TO MFG.			
	C	SEE SHEET ONE	2/8/00	43249	CPM



SCALE 2.000



UNLESS OTHERWISE SPECIFIED, DIMENSIONS ARE IN INCHES AND TOLERANCES ARE: 2 PLACE DECIMAL ±.015 (0.381 mm) 3 PLACE DECIMAL ±.005 (0.127 mm) ANGLES ± 1°	MATERIAL	DRAWN C. McGRATH ENGINEER T. AUBIN APPROVED	DATE 11/2/99 DATE 11/2/99 DATE	TITLE MINI-UHF CRIMP CRIMP PLUG FOR RG-58, 141 & 142 CABLE, 50 OHM	Amphenol Amphenol Corporation Communication and Network Products Division Danbury, CT U.S.A. 06810 SCALE: 4.0:1 SHEET 2 OF 2
	REFERENCE EAR 967411-0 GEN# ASSYMI_MINI-UHF	CAD FILE 1:\MINI-UHF\81-115-RFX	CODE ID 74868 DWG SIZE B DRAWING NO. 81-115-RFX	REV C	

NOTICE - These drawings, specifications, or other data (1) are, and remain the property of Amphenol Corp. (2) must be returned upon request; and (3) are confidential and not to be disclosed to any person other than those to whom they are given by Amphenol Corp. The furnishing of these drawings, specifications, or other data by Amphenol Corp., or to any other person to anyone for any purpose is not to be regarded by implication or otherwise in any manner licensing, granting rights or permitting such holder or any other person to manufacture, use or sell any product, process or design, patented or otherwise, that may in any way be related to or disclosed by said drawings, specifications, or other data.