

Excellent Integrated System Limited

Stocking Distributor

Click to view price, real time Inventory, Delivery & Lifecycle Information:

[Amphenol RF](#)
[082-6106](#)

For any questions, you can email us directly:

sales@integrated-circuit.com



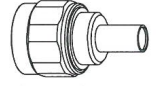
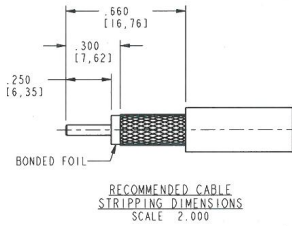
NOTES:

- MATERIALS OF CONSTRUCTION:
 BODY, OUTER CONTACT & COUPLING NUT- BRASS, NICKEL PLATED .0001/.00025 OVER COPPER STRIKE.
 CONTACT- BRASS, GOLD PLATED .0005/.00007 OVER .0005/.00007 NICKEL.
 FERRULE- COPPER ALLOY, NICKEL PLATED .0001/.00025 OVER COPPER STRIKE.
 INSULATORS- PTFE
 GASKET- SILICONE RUBBER
- ELECTRICAL:
 A. IMPEDANCE: 50 OHM
 B. FREQUENCY RANGE: DC 0-11 GHz
 C. DIELECTRIC WITHSTANDING VOLTAGE: 2500 VRMS, MIN.
- MECHANICAL:
 A. DURABILITY: 500 CYCLES MIN.
 B. TEMPERATURE RANGE: - 65°C to +165°C
- ASTERISK (*) INDICATES CABLE ENTRY DIMENSIONS.
- DO NOT SCALE THIS DRAWING.
- UNLESS OTHERWISE SPECIFIED, ALL DIMENSIONS ARE AFTER PLATING.
- CRIMP USING AMPHENOL TOOL 227-994 (M22520/5-01) AND DIE SET 227-1221-59 CAVITY "A" (.255 HEX.) & CAVITY "B" (.100 HEX.).

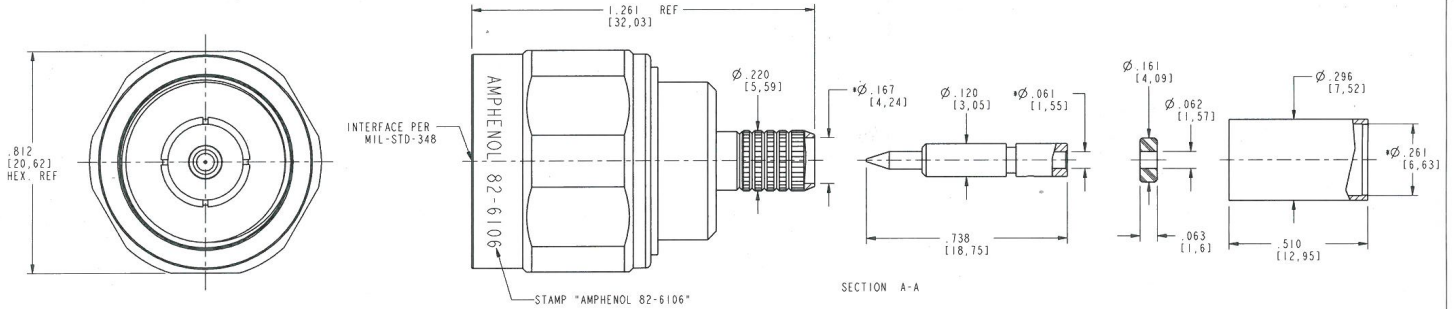
THIRD ANGLE PROJ.

REVISIONS

REV	DESCRIPTION	DATE	ECO	APPR
A	RELEASE TO MFG.	11/3/98	42718	GA
B	SEE SHEET I	2/18/00	43254	CPM
C	SEE SHEET I	10/30/00	43566	GA
D	SEE SHEET I	10/24/02	43965	CPM
E	SEE SHEET I	19-Aug-09	47747	SH
F	DELETE THE STAMP "YYWW" & SYNCH THE DRAWING WITH DANBURY.RD-DM1110801R3	1-Dec-11	48848	LPJ



SCALE 1.000



PART NO./DRAWING NO.	PACKAGING
82-6106	SINGLE PACK
82-6106-4050	BULKPACK 100 PCS.

CUSTOMER OUTLINE DRAWING
 ALL OTHER SHEETS ARE FOR INTERNAL USE ONLY

UNLESS OTHERWISE SPECIFIED, DIMENSIONS ARE IN METRIC AND TOLERANCES ARE:
 <0.5mm ±0.05mm 0.5 - 6mm ±0.1mm 6 - 30mm ±0.2mm 30 - 120mm ±0.3mm ANGLES ±1°
 NOTICE - These drawings, specifications, or other data (1) are, and remain the property of Amphenol Corp. (2) must be returned upon request; and (3) are confidential and not to be disclosed to any person other than those to whom they are given by Amphenol Corp. The furnishing of these drawings, specifications, or other data by Amphenol Corp., or to any other person to anyone for any purpose is not to be regarded by implication or otherwise, in any manner, licensing, granting rights to permitting such holder or any other person to manufacture, use or sell any product, process or design, patented or otherwise, that may in any way be related to or disclosed by said drawings, specifications, or other data.

MATERIAL	DRAWN R. MAO	DATE 24-Nov-11
REFERENCE EARR 961032-D; 961441-0 GEN# AS51M27.N	ENGINEER G. ANTONINI	DATE 09-Jul-98
FINISH	APPROVED S. HSIEH	DATE 24-Nov-11
	CAD FILE	

TITLE N PLUG CRIMP/CRIMP FOR TWB-2401 & LMR-240 CABLE	Amphenol RF www.amphenolrf.com
SCALE: 3.0:1.0 SHEET 2 OF 2	DRAWING NO. 82-6106-X
DWG SIZE B	ITEM NO. 82-6106-X
REV F	PART NO. 82-6106-X