

Excellent Integrated System Limited

Stocking Distributor

Click to view price, real time Inventory, Delivery & Lifecycle Information:

[Amphenol RF](#)
[102-909-02](#)

For any questions, you can email us directly:
sales@integrated-circuit.com

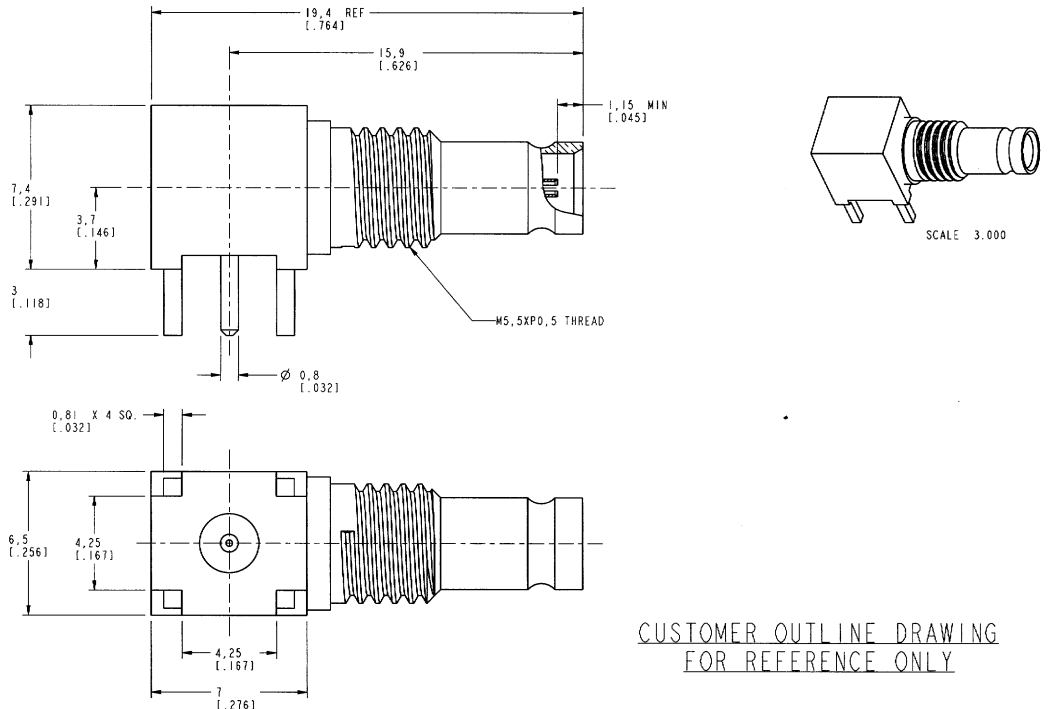


Distributor of Amphenol RF: Excellent Integrated System Limited
 Datasheet of 102-909-02 - 1.0/2.3 R/A PCB JACK

NOTES:

- MATERIALS:
 CENTRAL CONTACT = B+Cu
 HOUSING & BODY = BRASS
 INSULATORS (2) = PTFE
- PLATING:
 CENTER CONTACT = GOLD OVER NICKEL
 HOUSING & BODY = GOLD OVER NICKEL
- OTHER CHARACTERISTICS:
 IMPEDANCE: 50 OHMS
 RATED VOLTAGE: 250V
 DIELECTRIC WITHSTANDING VOLTAGE: 750V
 MATING CYCLES: 500 CYCLES
- DO NOT SCALE THIS DRAWING.
- UNLESS OTHERWISE SPECIFIED, ALL DIMENSIONS ARE AFTER PLATING.

102-909-02		REVISIONS			
DRAWING NO.	REV	DESCRIPTION	DATE	ECO	APPR
THIRD ANGLE PROJ.	A	RELEASE TO MFG.	3/11/99	42863	CPM
	C	SEE SHEET 1	2/21/01	43675	CPM



CUSTOMER OUTLINE DRAWING
 FOR REFERENCE ONLY

UNLESS OTHERWISE SPECIFIED, DIMENSIONS ARE IN INCHES AND TOLERANCES ARE: 0.5 - 6mm ±0.2mm 6 - 30mm ±0.4mm 30 - 120mm ±0.6mm	MATERIAL	DRAWN	DATE	TITLE	Amphenol Amphenol Corporation Communication and Network Products Division Danbury, CT U.S.A. 06810 SCALE: 6.0:1 SHEET 2 OF 2
	REFERENCE GEN# 102-909-02.ASSY	C. McGRATH O. BARTHELMES APPROVED	02-Feb-01 02-Feb-01 DATE	1.0/2.3 R/A PCB JACK	
NOTICE - These drawings, specifications, or other data (1) are, and remain the property of Amphenol Corp. (2) must be returned upon request; and (3) are confidential and not to be disclosed to any person other than those to whom they are given by Amphenol Corp. The furnishing of these drawings, specifications, or other data by Amphenol Corp., or to any other person to anyone for any purpose is not to be regarded by implication or otherwise in any manner licensing, granting rights or permitting such holder or any other person to manufacture, use or sell any product, process or design, patented or otherwise, that may in any way be related to or disclosed by said drawings, specifications, or other data.	CAD FILE 1:\1023\102-909-02	CODE ID 74868	DWG SIZE B	DRAWING NO. 102-909-02	REV C