



## **Excellent Integrated System Limited**

Stocking Distributor

Click to view price, real time Inventory, Delivery & Lifecycle Information:

[Amphenol RF](#)  
[531-40035-1006](#)

For any questions, you can email us directly:

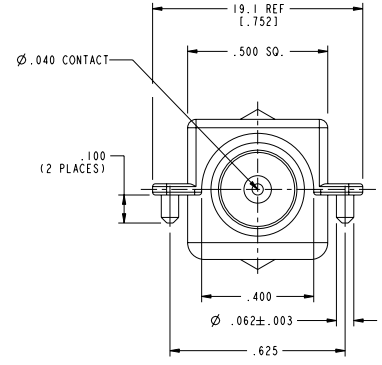
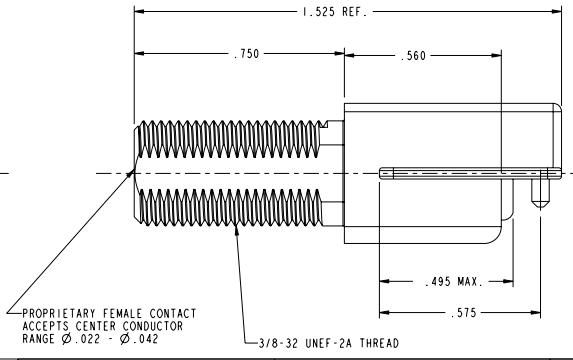
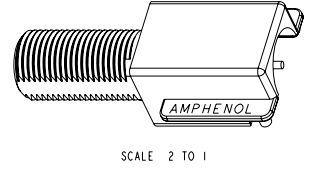
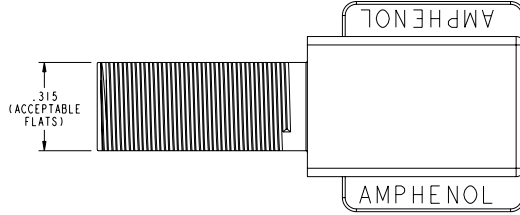
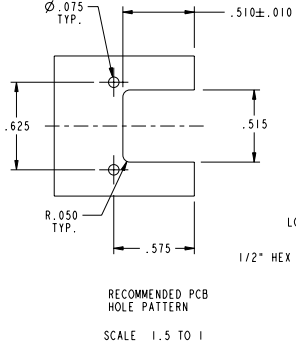
[sales@integrated-circuit.com](mailto:sales@integrated-circuit.com)

NOTES:

- SPECIFICATIONS IN THIS DOCUMENT ARE SUBJECT TO CHANGE WITHOUT NOTICE. CONTACT AMPHENOL FOR LATEST SPECIFICATIONS. ALL STATEMENTS, INFORMATION AND DATA GIVEN HEREIN ARE BELIEVED TO BE ACCURATE AND RELIABLE BUT ARE PRESENTED WITHOUT GUARANTY, WARRANTY, OR RESPONSIBILITY OF ANY KIND, EXPRESSED OR IMPLIED.
- MATERIAL OF CONSTRUCTION:  
 BODY - ZINC DIE CAST, TIN PLATED  
 CONTACT - BERYLLIUM COPPER, TIN PLATED  
 INSULATOR - TEFLON  
 HEX-NUT - BRASS, NICKEL PLATED  
 LOCK WASHER - PHOSPHOR BRONZE, NICKEL PLATED
- DO NOT SCALE THIS DRAWING.
- UNLESS OTHERWISE SPECIFIED, ALL DIMENSIONS ARE AFTER PLATING.
- HEX NUT AND LOCKWASHER ARE BULK PACKED SEPARATELY.

**CUSTOMER OUTLINE DRAWING**  
 ALL OTHER SHEETS ARE FOR INTERNAL USE ONLY

531-40035-1006		REVISIONS			
DRAWING NO.	REV	DESCRIPTION	DATE	ECO	APPR
THIRD ANGLE PROJ.	A	RELEASED FOR PRODUCTION	6/8/99	43006	FO
	B	SEE SHEET ONE	11/1/99	43167	CPM
	C	A. NOTES UPDATED. B. SEE SHEET ONE.	7/21/08	47163	JL
	D	SEE SHEET 1	10/7/08	47206	JL



UNLESS OTHERWISE SPECIFIED, DIMENSIONS ARE IN INCHES AND TOLERANCES ARE: 2 PLACE DECIMAL ±.015 (0.381 mm) 3 PLACE DECIMAL ±.005 (0.127 mm) ANGLES ± 1°	MATERIAL  REFERENCE EAR #966978-1 GEN #531-40035-1005	DRAWN F. ORBETA 15-Mar-99	DATE 15-Mar-99	TITLE 'F' FEMALE RECEPTACLE VERTICAL BOARD MOUNT	<b>Amphenol RF</b> Danbury, CT, USA Tainan, Taiwan Shenzhen, China www.amphenolrf.com		
		ENGINEER F. ORBETA APPROVED T. AUBIN 6/8/99	DATE 6/8/99			CAD FILE I:\CATV\TYPE\531-40035-1006	CODE ID 74868

NOTICE - These drawings, specifications, or other data (1) are, and remain the property of Amphenol Corp. (2) must be returned upon request; and (3) are confidential and not to be disclosed to any person other than those to whom they are given by Amphenol Corp. The furnishing of these drawings, specifications, or other data by Amphenol Corp., or to any other person to anyone for any purpose is not to be regarded by implication or otherwise in any manner licensing, granting rights or permitting such holder or any other person to manufacture, use or sell any product, process or design, patented or otherwise, that may in any way be related to or disclosed by said drawings, specifications, or other data.