

Excellent Integrated System Limited

Stocking Distributor

Click to view price, real time Inventory, Delivery & Lifecycle Information:

[Amphenol RF](#)
[716-75](#)

For any questions, you can email us directly:

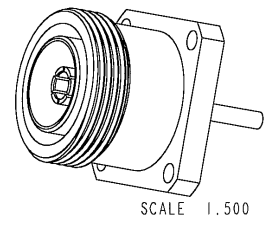
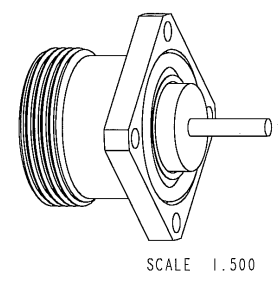
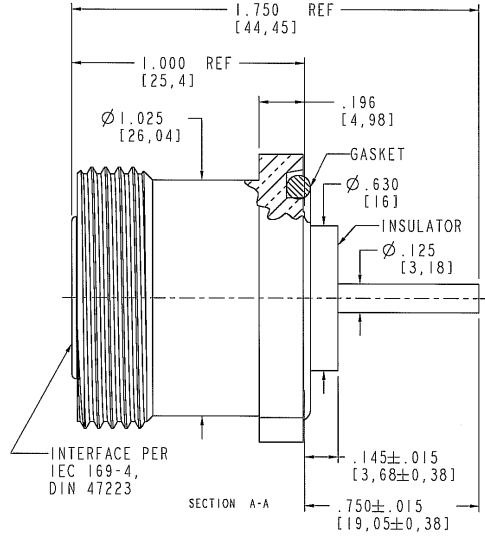
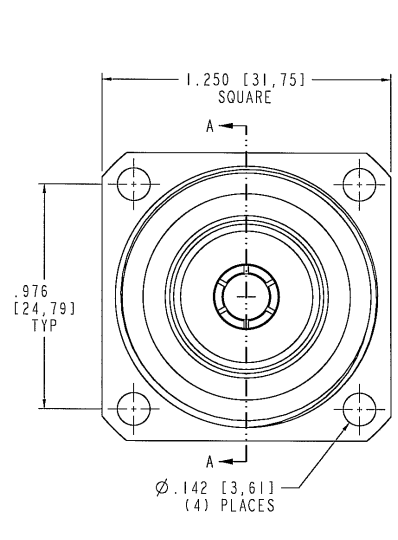
sales@integrated-circuit.com



Distributor of Amphenol RF: Excellent Integrated System Limited
Datasheet of 716-75 - 716 (F) RECEPTACLE

- NOTES:
 1. MATERIALS OF CONSTRUCTION
 BODY (ONE PIECE) - BRASS, WHITE BRONZE PLATING
 CONTACT (ONE PIECE) - BeCu, GOLD PLATED
 INSULATOR - PTFE
 2. ELECTRICAL
 A. VSWR (RETURN LOSS), MAXIMUM
 DC - 20GHz: 1.05 (32 dB)
 B. THIRD ORDER INTERMODULATION DISTORTION, MAXIMUM
 -120 dBm WITH 2 +43 dBm CARRIERS (-163 dBc)
 3. ENVIRONMENTAL
 A. INTERFACE SEALED PER IEC 529, IP68.

716-75		REVISIONS			
DRAWING NO.	REV	DESCRIPTION	DATE	ECO	APPR
THIRD ANGLE PROJ.	⊗ ⊚	A	OFFICIAL ENG. RELEASE TO MFG.	2/17/98	42360 0793



CUSTOMER OUTLINE DRAWING
 FOR REFERENCE ONLY

716-75-0001	1	1	716 (F) RECEPTACLE	SEE S/A
PART NUMBER	QTY.	ITEM	DESCRIPTION	FINISH

UNLESS OTHERWISE SPECIFIED, DIMENSIONS ARE IN INCHES AND TOLERANCES ARE:
 2 PLACE DECIMAL 3 PLACE DECIMAL ANGLES
 ±.015 (0,381 mm) ±.005 (0,127 mm) ± 1°
 NOTICE - These drawings, specifications, or other data (1) are, and remain the property of Amphenol Corp. (2) must be returned upon request; and (3) are confidential and not to be disclosed to any person other than those to whom they are given by Amphenol Corp. The furnishing of these drawings, specifications, or other data by Amphenol Corp., or to any other person is anyone for any purpose is not to be regarded by implication or otherwise in any manner licensing, granting rights or permitting such holder or any other person to manufacture, use or sell any product, process or design, patented or otherwise, that may in any way be related to or disclosed by said drawings, specifications, or other data.

MATERIAL	DRAWN	DATE	TITLE
	OWEN BARTHELME	18-Dec-97	716 (F) RECEPTACLE
REFERENCE	ENGINEER	DATE	
P/N 716-75-0001	OWEN BARTHELME	18-Dec-97	
GEN# ASSYF23.716	APPROVED	DATE	
EAR# 966848	<i>[Signature]</i>	2/13/98	
SWEDCOM	CAD FILE		
	I:\716\716-75		

Amphenol		SCALE: 2.5:1	SHEET	1 OF 1
Amphenol Corporation Communication and Network Products Division Danbury, CT U.S.A. 06810		CODE ID	DWG SIZE	DRAWING NO.
		74868	B	716-75
				REV
				A