

Excellent Integrated System Limited

Stocking Distributor

Click to view price, real time Inventory, Delivery & Lifecycle Information:

[Amphenol RF](#)
[901-10165](#)

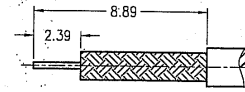
For any questions, you can email us directly:

sales@integrated-circuit.com

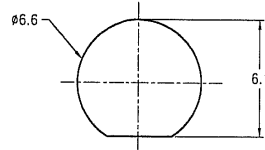
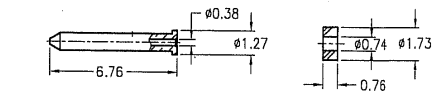
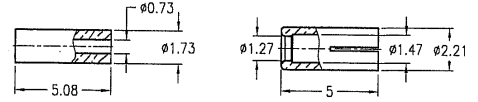
NOTES:

1. MATERIALS AND FINISHES
 BODY - BRASS, GOLD PLATING
 CONTACT - BRASS & BeCu, GOLD PLATING
 INSULATOR - PTFE
2. ELECTRICAL:
 A. IMPEDANCE: 50 OHM
 B. FREQUENCY RANGE: DC 0-3 GHz
 C. VSWR(RETURN LOSS): 1.28 MAX.
 D. DIELECTRIC WITHSTANDING VOLTAGE: 1000 VRMS, MIN.
3. MECHANICAL:
 A. DURABILITY: 500 CYCLES MIN.
 B. TEMPERATURE RANGE: -65°C to +165°C
4. CRIMPED BODY OVER INNER FERRULE
 HEX CRIMP SIZE .105"
5. SOLDER CONTACT TO CABLE CENTER CONDUCTOR

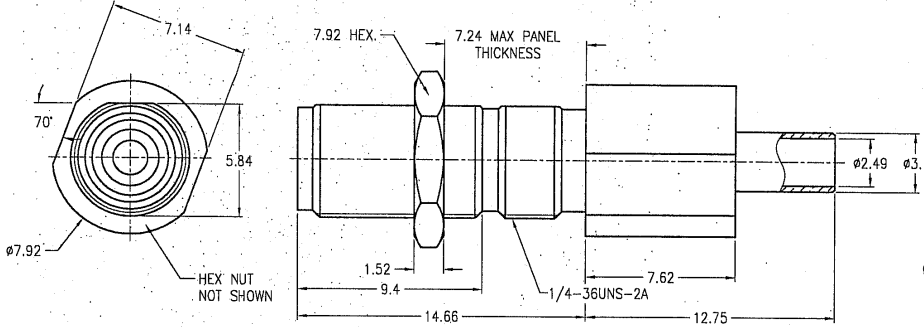
901-10165		REVISIONS			
DRAWING NO.	REV	DESCRIPTION	DATE	ECO	APPR
THIRD ANGLE PROJ.	A	RELEASE TO MFG.	06/13/06	--	MICHAEL
	B	SEE SHEET 1	24-Feb-09	--	R2091



RECOMMENDED CABLE STRIPPING DIMENSIONS



RECOMMENDED MOUNTING HOLE DIMENSIONS



CUSTOMER OUTLINE DRAWING

ALL OTHER SHEETS ARE FOR INTERNAL USE ONLY

UNLESS OTHERWISE SPECIFIED, DIMENSIONS ARE IN METRIC AND TOLERANCES ARE: 0.5 - 6mm ±0.1mm 6 - 30mm ±0.2mm 30 - 120mm ±0.3mm ANGLES ±1°	MATERIAL	DRAWN	DATE	TITLE	Amphenol RF Danbury, CT, USA Tainon, Taiwan Shenzhen, China www.amphenolrf.com			
	NOTICE - These drawings, specifications, or other data (1) are, and remain the property of Amphenol Corp. (2) must be returned upon request; and (3) are confidential and not to be disclosed to any person other than those to whom they are given by Amphenol Corp. The furnishing of these drawings, specifications, or other data by Amphenol Corp., or to any other person to anyone for any purpose is not to be regarded by implication or otherwise in any manner licensing, granting rights or permitting such holder or any other person to manufacture, use or sell any product, process or design, patented or otherwise, that may in any way be related to or disclosed by said drawings, specifications, or other data.	REFERENCE	ENGINEER	DATE	SMA BULKHEAD TO 1.32 MM CABLE	SCALE: 2.5/1	SHEET 2 OF 2	REV B
FINISH	CAD FILE	APPROVED	DATE	ITEM NO. 901-10165	CODE ID	DWG SIZE	DRAWING NO.	REV
PART NO.	F:\DWG\CNPD\901\10165-BSZ	S.HSIEH	16-Jun-06		74868	B	901-10165	B