



Excellent Integrated System Limited

Stocking Distributor

Click to view price, real time Inventory, Delivery & Lifecycle Information:

[Amphenol RF](#)
[901-9917-3](#)

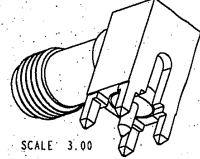
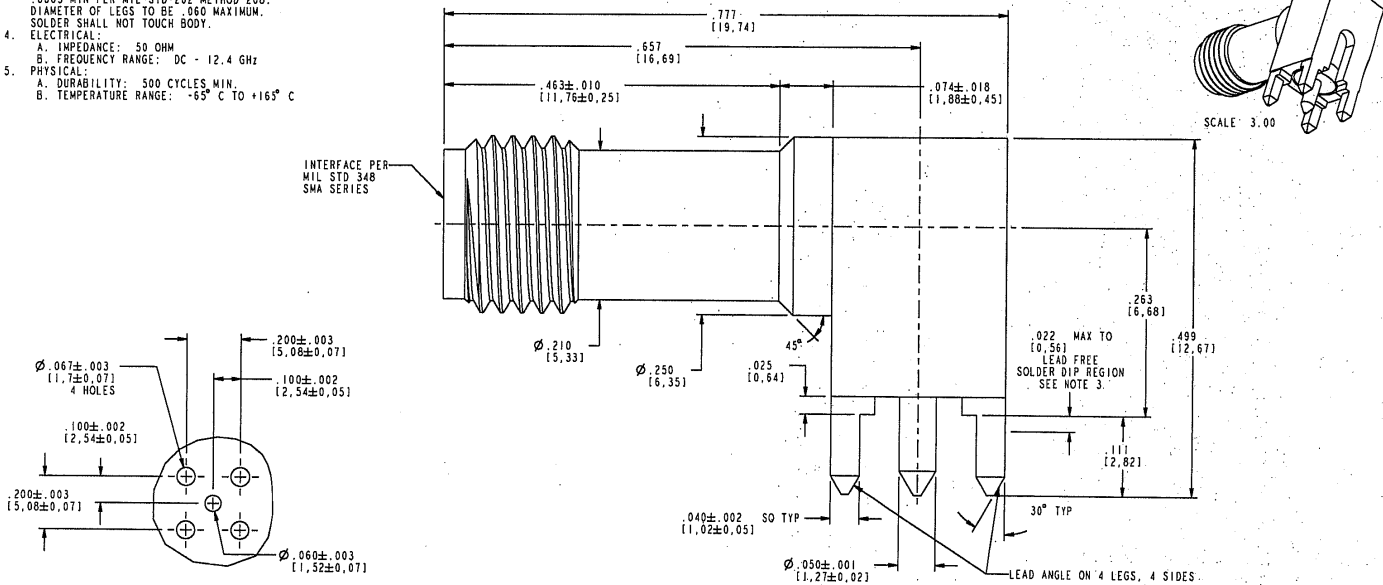
For any questions, you can email us directly:

sales@integrated-circuit.com

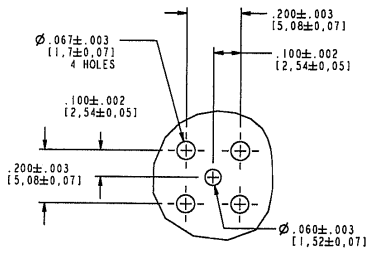
NOTES:

- MATERIALS AND FINISHES:
 BODY - BRASS, NICKEL PLATED
 CONTACT - BERYLLIUM COPPER, GOLD PLATED (.000050 MIN)
 INSULATOR - TFE FLUOROCARBON
- PACKAGING: BULK PACKED, 50 CONNECTORS IN AN ANTI-STATIC BAG.
 SOLDER POSTS ON BODY SHALL BE LEAD FREE SOLDER
 DIPPED TO DIMENSION SHOWN ON THE LENGTH OF
 THE .145 LEGS. SOLDER THICKNESS SHALL BE
 .0003 MIN PER MIL-STD-202 METHOD 208.
 DIAMETER OF LEGS TO BE .060 MAXIMUM.
 SOLDER SHALL NOT TOUCH BODY.
- ELECTRICAL:
 A. IMPEDANCE: 50 OHM
 B. FREQUENCY RANGE: DC - 12.4 GHz
- PHYSICAL:
 A. DURABILITY: 500 CYCLES MIN.
 B. TEMPERATURE RANGE: -65° C TO +165° C

901-9917-3		REVISIONS			
DRAWING NO.	REV	DESCRIPTION	DATE	ECO	APPR
THIRD ANGLE PROJ.	A	RELEASE TO MFG.	10/9/02	44229	CPM
	C	REMOVE CONTACT SOLDER \ RD-DH09022001K	27 Feb 09		



SCALE: 3.00



RECOMMENDED PCB HOLE PATTERN

CUSTOMER OUTLINE DRAWING
 ALL OTHER SHEETS ARE FOR INTERNAL USE ONLY

UNLESS OTHERWISE SPECIFIED, DIMENSIONS ARE IN INCHES AND TOLERANCES ARE: 2 PLACE DECIMAL ±.015 (0.381 mm) 3 PLACE DECIMAL ±.005 (0.127 mm) ANGLES ± 1°	MATERIAL	DRAWN C. McGRATH	DATE 10/4/02	TITLE SMA JACK RIGHT ANGLE PC MOUNT	Amphenol RF Danbury, CT, USA Tainan, Taiwan Shenzhen, China www.amphenolrf.com
	REFERENCE EAR 721 SIM TO 901-9917-2 GEN# ASSYFI1.SMA	ENGINEER O. BARTHELME	DATE 10/4/02	APPROVED O. BARTHELME	
		CAD FILE 1:\SMA\901-9917-3	CODE 10 74868	DWG SIZE B	DRAWING NO. 901-9917-3
				SCALE: 8.0:1	SHEET 2 OF 2
				REV C	