



Excellent Integrated System Limited

Stocking Distributor

Click to view price, real time Inventory, Delivery & Lifecycle Information:

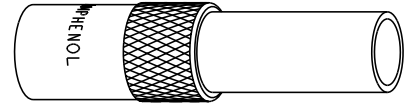
[Amphenol RE](#)
[903-598P-71S](#)

For any questions, you can email us directly:

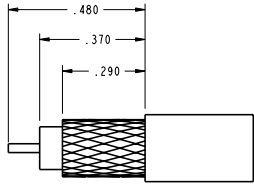
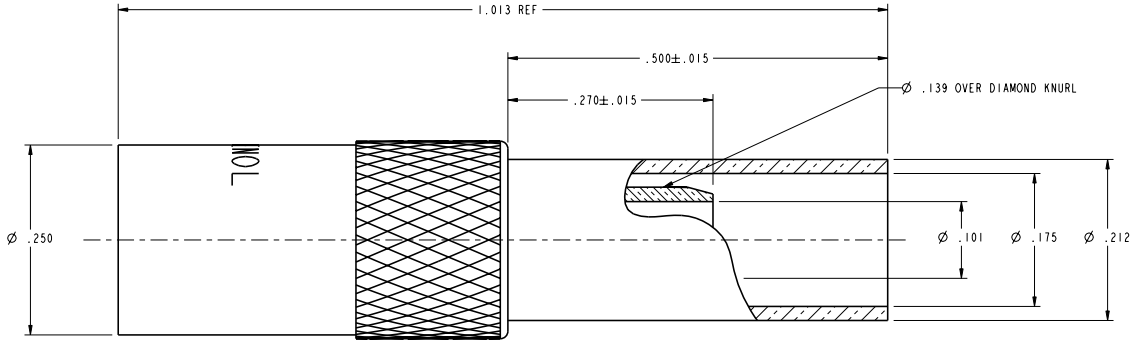
sales@integrated-circuit.com

- NOTES:
- MATERIALS AND FINISHES:
 BODY & OUTER CONTACT - BRASS, NICKEL PLATING (.000100 THICK)
 CONTACT - BeCu, GOLD PLATING (.000030 THICK)
 INSULATOR - PTFE
 FERRULE - ANNEALED COPPER, NICKEL PLATING (.000100 THICK)
 - ELECTRICAL:
 A. IMPEDANCE: 75 OHM
 B. FREQUENCY RANGE: DC - 4 GHz
 C. VSWR: 1.25 + .04f GHz
 D. DIELECTRIC WITHSTANDING VOLTAGE: 1000 VRMS, MIN.
 - MECHANICAL:
 A. DURABILITY: 500 CYCLES MIN.
 B. TEMPERATURE RANGE: -65° C TO +165° C
 - PACKAGING:
 A. QUANTITY: SINGLE PACK
 B. MARKING: BAG TO BE MARKED
 "AMPHENOL, 903-598P-71S, DATE CODE & WORK ORDER NUMBER"
 - FOR CRIMPING USE TOOL 227-944, CRIMP DIE 227-1221-09 CAVITY "A" (.178 HEX).

903-598P-71S		REVISIONS			
DRAWING NO.	REV	DESCRIPTION	DATE	ECO	APPR
THIRD ANGLE PROJ.	A	RELEASE TO MFG.	4/5/01	43729	CPM



SCALE 4.000



CUSTOMER OUTLINE DRAWING
 ALL OTHER SHEETS ARE FOR INTERNAL USE ONLY

UNLESS OTHERWISE SPECIFIED, DIMENSIONS ARE IN INCHES AND TOLERANCES ARE: 2 PLACE DECIMAL ± .015 (0.381 mm) 3 PLACE DECIMAL ± .005 (0.127 mm) ANGLES ± 1°	MATERIAL REFERENCE EAR 102-967570-0 & #160 GEN# ASSYM15.SMB 615X-1596-100	DRAWN C. McGRATH	DATE 27-Mar-01	TITLE SMB 75 OHM PLUG FOR AT&T 735A CABLE	Amphenol Amphenol Corporation Communication and Network Products Division Danbury, CT U.S.A. 06810 SCALE: 8.0:1 SHEET 2 OF 2	
		ENGINEER P. BRENZEL	DATE 27-Mar-01			APPROVED O. BARTHELMES
NOTICE - These drawings, specifications, or other data (1) are, and remain the property of Amphenol Corp. (2) must be returned upon request; and (3) are confidential and not to be disclosed to any person other than those to whom they are given by Amphenol Corp. The furnishing of these drawings, specifications, or other data by Amphenol Corp., or to any other person to anyone for any purpose is not to be regarded by implication or otherwise in any manner licensing, granting rights or permitting such holder or any other person to manufacture, use or sell any product, process or design, patented or otherwise, that may in any way be related to or disclosed by said drawings, specifications, or other data.		CAD FILE I:\SMB\903-598P-71S	CODE ID 74868	DWG SIZE B	DRAWING NO. 903-598P-71S	REV A