



Excellent Integrated System Limited

Stocking Distributor

Click to view price, real time Inventory, Delivery & Lifecycle Information:

[Amphenol RF](#)
[903-599P-71A](#)

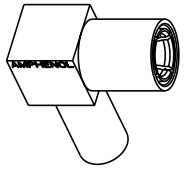
For any questions, you can email us directly:

sales@integrated-circuit.com

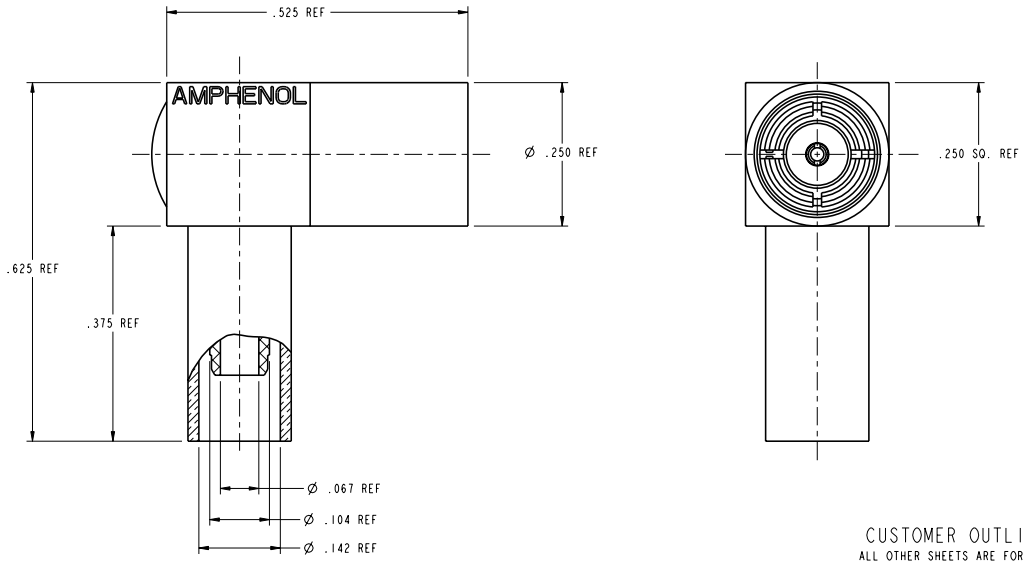
NOTE:

- MATERIALS OF CONSTRUCTION:
 CUBE BODY = ZINC DIE CAST, NICKEL PLATED
 BODY & CAP = BRASS, NICKEL PLATED
 FEMALE CONTACT = BeCu, GOLD PLATED
 SPRING RING = BeCu, NICKEL PLATED
 FERRULE = SEAMLESS COPPER TUBING, NICKEL PLATED
 INSULATOR = TFE FLUOROCARBON, ASTM D 1457
- FOR ASSEMBLY INSTRUCTIONS SEE AMPHENOL SPEC. 349-50521, SHEET 3.

| 903-599P-71A | | REVISIONS | | | |
|-------------------|-----|-----------------|---------|-------|------|
| DRAWING NO. | REV | DESCRIPTION | DATE | ECO | APPR |
| THIRD ANGLE PROJ. | A | RELEASE TO MFG. | 3/17/01 | 43690 | CPM |



SCALE 3.000



CUSTOMER OUTLINE DRAWING
 ALL OTHER SHEETS ARE FOR INTERNAL USE ONLY

| | | | | | | | |
|---|---|---------------------------------|-------------------|--|---|-----------------------------|----------|
| UNLESS OTHERWISE SPECIFIED, DIMENSIONS ARE IN INCHES AND TOLERANCES ARE: 2 PLACE DECIMAL 3 PLACE DECIMAL ANGLES $\pm .015$ (0.381 mm) $\pm .005$ (0.127 mm) $\pm 1^\circ$ | MATERIAL REFERENCE EAR# 161 GEN# ASSYM12.SMB | DRAWN C. McGRATH | DATE 13-Feb-01 | TITLE MINI-75 OHM SMB R/A PLUG FOR RD-179 CABLE | Amphenol Amphenol Corporation Communication and Network Products Division Danbury, CT U.S.A. 06810 SCALE: 6.0:1 SHEET 2 OF 2 | | |
| | | ENGINEER O. BARTHELMES | DATE 13-Feb-01 | | | | |
| NOTICE - These drawings, specifications, or other data (1) are, and remain the property of Amphenol Corp. (2) must be returned upon request; and (3) are confidential and not to be disclosed to any person other than those to whom they are given by Amphenol Corp. The furnishing of these drawings, specifications, or other data by Amphenol Corp., or to any other person to anyone for any purpose is not to be regarded by implication or otherwise in any manner licensing, granting rights or permitting such holder or any other person to manufacture, use or sell any product, process or design, patented or otherwise, that may in any way be related to or disclosed by said drawings, specifications, or other data. | | APPROVED O. BARTHELMES | DATE 2/14/01 | CODE ID 74868 | DWG SIZE B | DRAWING NO. 903-599P-71A | REV A |
| | | CAD FILE 1:\SMB\903-599P-71A | | | | | |