

Excellent Integrated System Limited

Stocking Distributor

Click to view price, real time Inventory, Delivery & Lifecycle Information:

[Amphenol RE](#)
[919-118J-51PT](#)

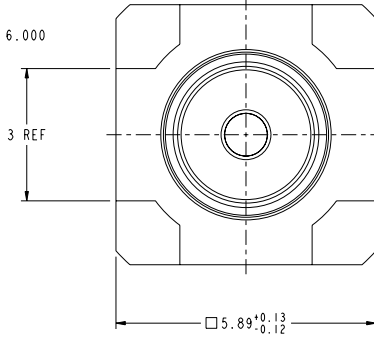
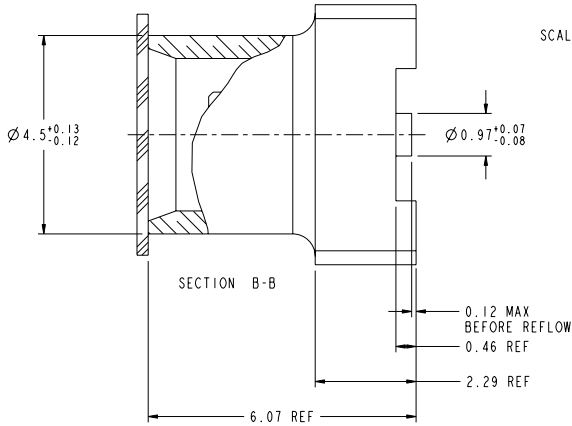
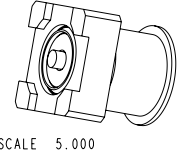
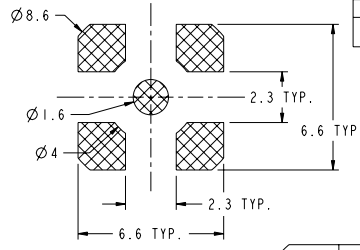
For any questions, you can email us directly:

sales@integrated-circuit.com

- NOTES:
 1. MATERIAL AND FINISH (PLATING THICKNESS IN MICRO-INCHES):
 BODY - BRASS, GOLD PLATING
 CONTACT - BERYLLIUM COPPER, GOLD PLATING
 INSULATOR - PTFE, NATURAL
 2. ELECTRICAL:
 A. IMPEDANCE: 50 OHM
 B. FREQUENCY RANGE: 0-2 GHz
 C. VSWR (RETURN LOSS): 1.2 MAX.
 D. DIELECTRIC WITHSTANDING VOLTAGE: 1000 VRMS. (FOR ONE MINUTE)
 E. CONTACT RESISTANCE: 5 mOHM MAX. (CENTER CONTACT)
 1 mOHM MAX. (OUTER CONTACT)
 F. VOLTAGE RATING: 500 VOLTS
 G. INSULATION RESISTANCE: 10000 MOHM (AT 500V FOR ONE MINUTE)
 3. MECHANICAL:
 A. DURABILITY: 500 CYCLES MIN.
 B. TEMPERATURE RANGE: -40°C TO +85°C

THIRD ANGLE PROJ.

REVISIONS				
REV	DESCRIPTION	DATE	ECO	APPR
C	SEE SHEET 1	24-Jun-04	45031	HP
D	SEE SHEET 1	13-Mar-07	46462	CPM
E	SEE SHEET 1	15-Jun-07	46610	AK
F	SEE SHEET 1	19-Jun-08		SH
G	SEE SHEET 1	04-Nov-08		SH
H	ADD 0.1/RD-DM10111801S4	22-Nov-10	48356	SH
J	6.07 WAS 5.99, 2.29 WAS 1.52, 0.46 WAS 0.76 VRD-DM15042301J1	29-Apr-15	50419	HH



CUSTOMER OUTLINE DRAWING
 ALL OTHER SHEETS ARE FOR INTERNAL USE ONLY

UNLESS OTHERWISE SPECIFIED, DIMENSIONS ARE IN METRIC AND TOLERANCES ARE: 0.5 - 6mm ±0.1mm 6 - 30mm ±0.2mm 30 - 120mm ±0.3mm ANGLES ±1° NOTICE - These drawings, specifications, or other data (1) are, and remain the property of Amphenol Corp. (2) may be returned upon request; and (3) are confidential and not to be disclosed to any person other than those to whom they are given by Amphenol Corp. The furnishing of these drawings, specifications, or other data by Amphenol Corp. or to any other person to anyone for any purpose is not to be regarded by implication or otherwise in any manner licensing, granting rights to permitting such holder or any other person to manufacture, use or sell any product, process or design, patented or otherwise, that may in any way be related to or disclosed by said drawings, specifications, or other data.	MATERIAL REFERENCE EAR 102-966929-1 MOTOROLA 000901001 615X-1429-100 GEN# ASS1F3.MCX FINISH	DRAWN JEKY.C ENGINEER P. BRENZEL APPROVED H.HE CAD FILE I:\MCX\919-118J-51PT	DATE 28-Apr-15 DATE 18-Jun-98 DATE 28-Apr-15	TITLE MCX RECEPTACLE SURFACE MOUNT SCALE: 12.0:1.0 SHEET 2 OF 2 DWG SIZE B 74868 REV J	Amphenol RF Danbury CT USA, Tainan, Taiwan, Shenzhen, China www.amphenolrf.com DRAWING NO. 919-118J-51PT ITEM NO. 919-118J-51PT PART NO. 919-118J-51PT
---	---	---	---	---	---