

Excellent Integrated System Limited

Stocking Distributor

Click to view price, real time Inventory, Delivery & Lifecycle Information:

[Amphenol RE
920-123P-71P](#)

For any questions, you can email us directly:

sales@integrated-circuit.com

920-123P-71P		REVISIONS			
DRAWING NO.	REV	DESCRIPTION	DATE	ECO	APPR
THIRD ANGLE PROJ.	A	RELEASE TO MFG.	10/8/02	44226	BCG
	B	A) BULLET BODY WAS: BERYLLIUM COPPER (STAMPED)	5/9/03	44467	BCG

NOTES:

1. MATERIALS AND FINISHES:

- BODY - BRASS - GOLD PLATED (.000010" MIN.)
- CONTACT - BRASS - GOLD PLATED (.000030" MIN.)
- BULLET BODY - BERYLLIUM COPPER (MACHINED) - GOLD PLATED (.000030" MIN.)
- BULLET CONTACT - BERYLLIUM COPPER (STAMPED) - GOLD PLATED (.000030" MIN.)
- INSULATORS - PTFE

2. ELECTRICAL:

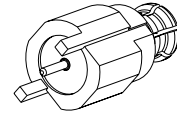
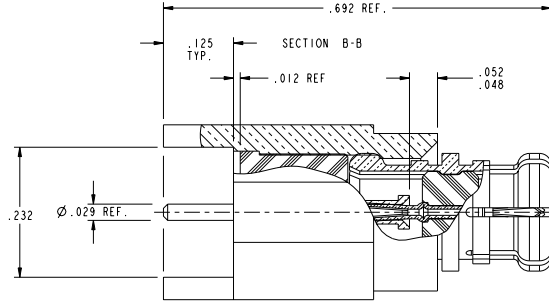
- A. IMPEDANCE = 75 OHM, NOMINAL
- B. FREQUENCY RANGE = DC TO 1.0 GHz
- C. RETURN LOSS = -25 dB MAXIMUM
- D. INSERTION LOSS = 0.05 dB MAXIMUM
- E. ISOLATION = -70 dB MAXIMUM

3. MECHANICAL:

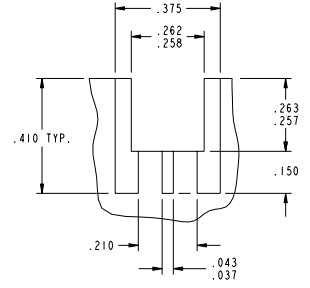
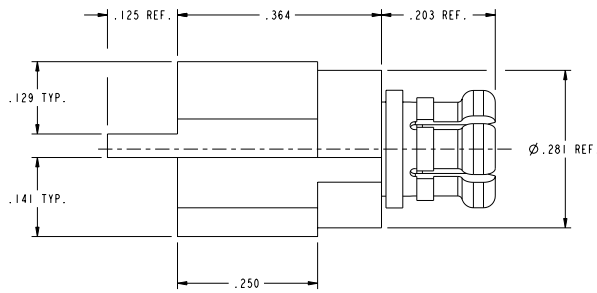
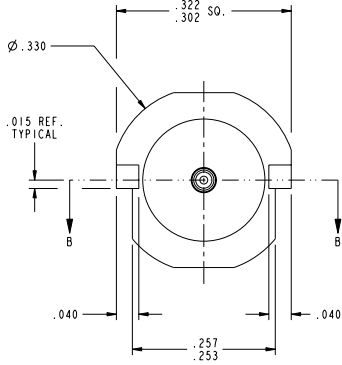
- A. DURABILITY = 100 CYCLES MIN.
- B. TEMPERATURE RANGE = -65° C TO +165° C
- C. ENGAGEMENT FORCE = 5.0 LBS MAX. (PER BULLET)
- D. DISENGAGEMENT FORCE = 0.5 LBS. MIN. (PER BULLET)
- E. DESIGNED FOR USE WITH .093±.005 THICK FR-4 PCB MATERIAL

4. PACKAGING:

- A. QUANTITY: SINGLE PACK
- B. BAG TO BE MARKED: "AMPHENOL, 920-123P-71P, AND DATE CODE"



SCALE 3.000



PCB MOUNTING CUT-OUT AND PAD LAYOUT

SCALE 3.000

CUSTOMER OUTLINE DRAWING
 ALL OTHER SHEETS ARE FOR INTERNAL USE ONLY

UNLESS OTHERWISE SPECIFIED, DIMENSIONS ARE IN INCHES AND TOLERANCES ARE:
 2 PLACE DECIMAL ±.015 (0.381 mm) 3 PLACE DECIMAL ±.005 (0.127 mm) ANGLES ± 1°

NOTICE - These drawings, specifications, or other data (1) are, and remain the property of Amphenol Corp. (2) must be returned upon request; and (3) are confidential and not to be disclosed to any person other than those to whom they are given by Amphenol Corp. The furnishing of these drawings, specifications, or other data by Amphenol Corp., or to any other person to anyone for any purpose is not to be regarded by implication or otherwise in any manner licensing, granting rights or permitting such holder or any other person to manufacture, use or sell any product, process or design, patented or otherwise, that may in any way be related to or disclosed by said drawings, specifications, or other data.

MATERIAL

REFERENCE
 SIMILAR TO: 920-113P-71P
 CON-0275-01
 GEN# 615X-1669
 GEN# ASSYMI.AF1

DRAWN

B.C. GLEISSNER

ENGINEER

B.C. GLEISSNER

APPROVED

O. BARTHELMES

CAD FILE

1:\AFI\920-123P-71P

DATE

30-Aug-02

DATE

10-May-02

DATE

10/8/02

TITLE

EDGE MOUNT W/ BULLET

Amphenol

Amphenol Corporation
 Communication and Network
 Products Division
 Danbury, CT U.S.A. 06810

SCALE: 6.0:1 SHEET 2 OF 2

CODE ID

74868

DWG SIZE

B

DRAWING NO.

920-123P-71P

REV

B