

Excellent Integrated System Limited

Stocking Distributor

Click to view price, real time Inventory, Delivery & Lifecycle Information:

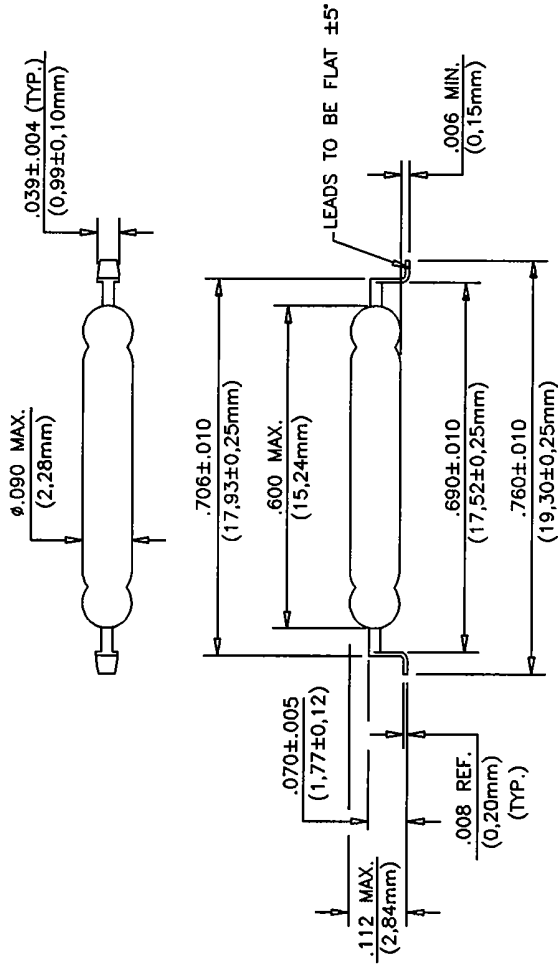
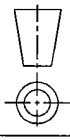
[Littelfuse](#)
[MDSM-4R-12-18](#)

For any questions, you can email us directly:
sales@integrated-circuit.com

ELECTRICAL RATINGS			
CONTACT FORM	A		
CONTACT RATING	WATTS	TURNS	
RATING SENSITIVITY	10	20	
VOLTAGE	SWITCHING	VDC-MAX.	200
	BREAKDOWN	VDC-MIN.	250
	ARC-QUENCH	VDC-MIN.	200
CURRENT	SWITCHING	AMPERES-MAX.	0.5
	CARRY	AMPERES-MAX.	1.2
RESISTANCE	CONTACT, INITIAL	OHMS-MAX.	0.10
	INSULATION	OHMS-MIN.	10 ¹⁰
CAPACITANCE	PICOFARADS-TYP. 0.2		

OPERATING CHARACTERISTICS		
OPERATE TIME	ms-MAX.	0.5
RELEASE TIME	ms-MAX.	0.2
SHOCK	G'S MAX., 11ms 1/2 SINE WAVE	100
VIBRATION	G'S MAX., 50-2000 HERTZ	30
RESONANT FREQUENCY	HERTZ, TYP.	3900
TEMPERATURE STORAGE	OPERATING DEGREES, CELSIUS	-40 TO +125
	DEGREES, CELSIUS	-65 TO +125

SEE REED SWITCH CATALOG FOR DEFINITION OF TERMS



MAGNETIC CHARACTERISTICS	
TEST COIL	L4989
STANDARD TOLERANCE	12-23
PULL-IN RANGES BEFORE MOD.	17-28
	22-33
	27-38

PACKAGING TAPE AND REEL - 3000/REEL
SEE PAGE 2 OF 2 FOR TAPE AND REEL
DETAIL.

TIN PLATED LEADS

© HAMLIN, Incorporated
1996

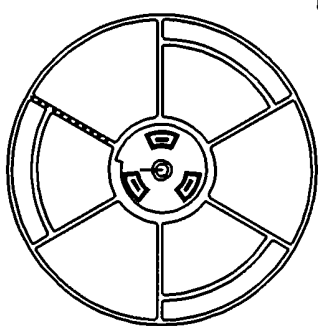
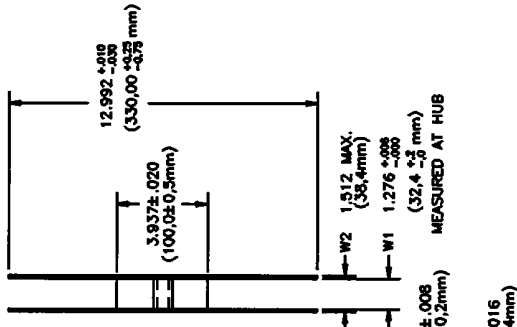
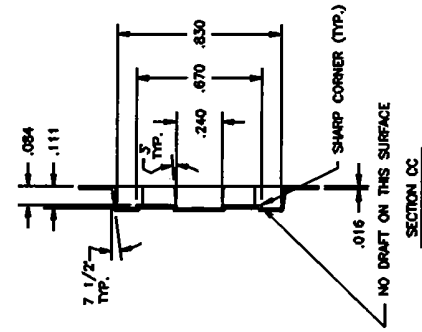
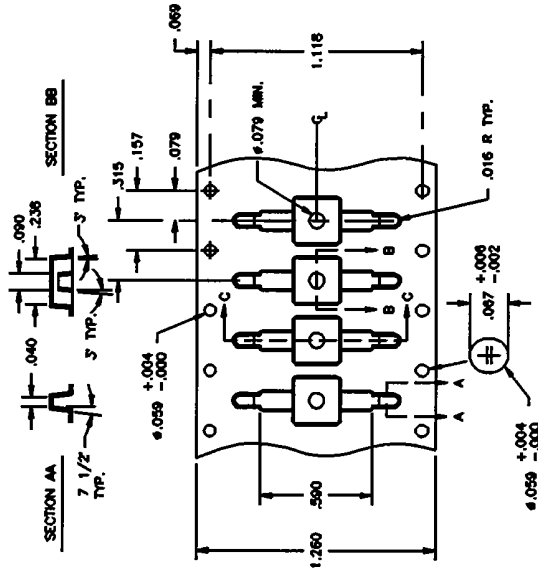
This design and print is copyright and is the property of HAMLIN, Inc. It must not be copied or permitted to be copied, nor may its contents be divulged to any third party without the prior written permission from the company.

MDSM-4R				HAMLIN, Inc.		DCR No. A5406		
AD	ADD DIM TO OUTSIDE LEG FORM	GJ	11/5/01	GJ	11/7/01	Dwn.	RLB DATE	
REV.	DESCRIPTION OF REVISION	DCR No.	BY	DATE	APP.	DATE	DATE	
		A9340	GJ	11/5/01	GJ	11/7/01	12/17/96	
							12/18/96	
							D10-5277	Page 1 of 2



System No. N/A

D10-5277



MATERIAL: ANTISTATIC PS

MDSM-4R

H A M L I N, Inc.

DCR No. A5406

AD	ADD DIM TO OUTSIDE LEG FORM	A9340	GJ	11/5/01	GJ	11/7/01	Dwn.	RLB	DATE	12/17/96
REV.	DESCRIPTION OF REVISION	DCR No.	BY	DATE	APP.	DATE	App'd	GJ	DATE	12/18/96