

Excellent Integrated System Limited

Stocking Distributor

Click to view price, real time Inventory, Delivery & Lifecycle Information:

[Taoglas Limited](#)
[CAB.954](#)

For any questions, you can email us directly:

sales@integrated-circuit.com



Close-up of CAB.954

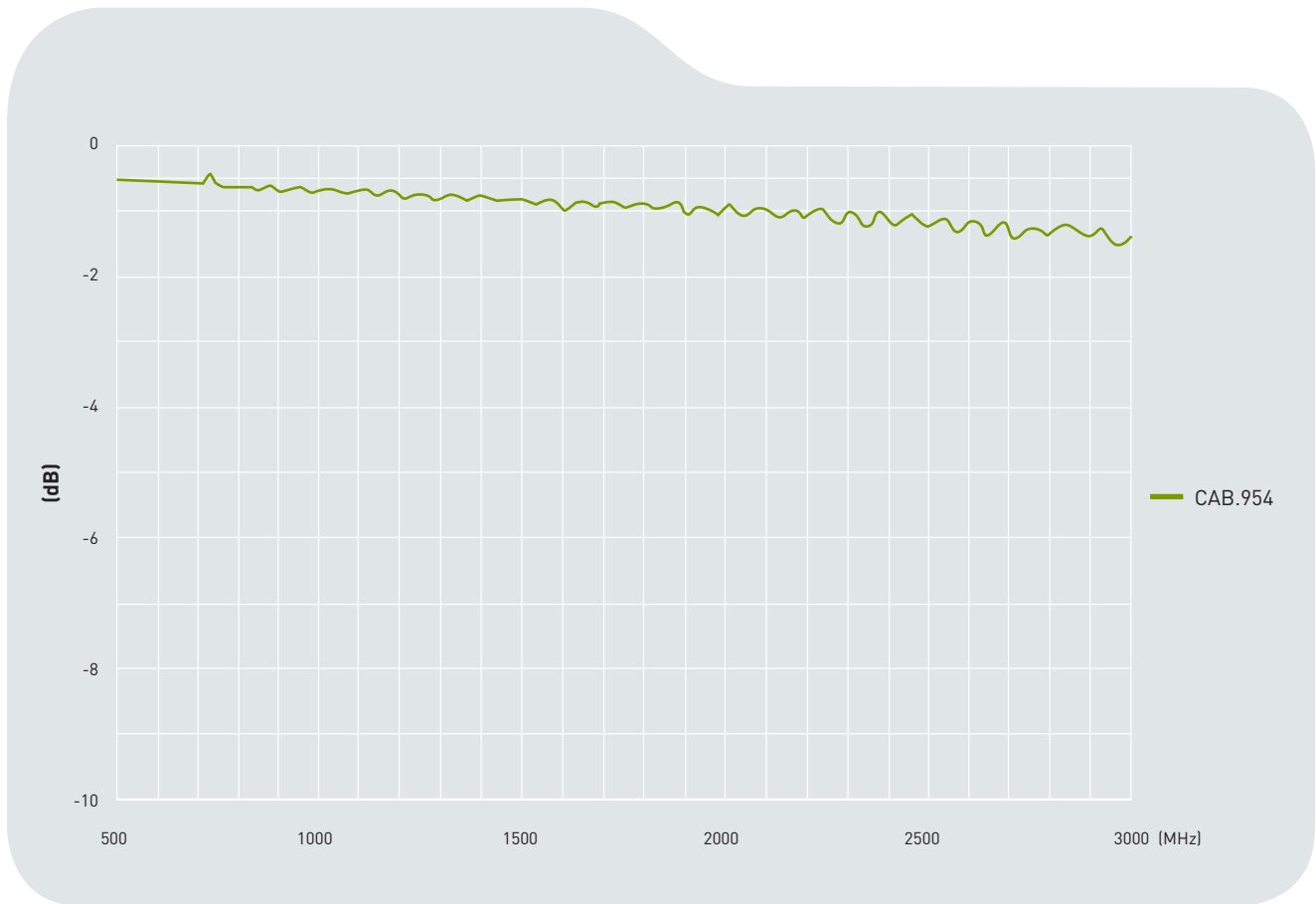
CAB.954

Specification

Part No.	CAB.954
Product Name	CAB.954 Taoglas Cable Assembly N Type Jack with O-Ring to 300mm(11.81") 1.37 to IPEX MHFI(U.FL comp)



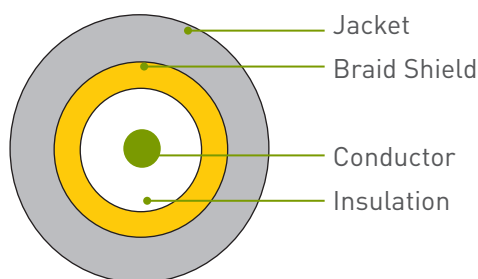
1. Cable Insertion Loss



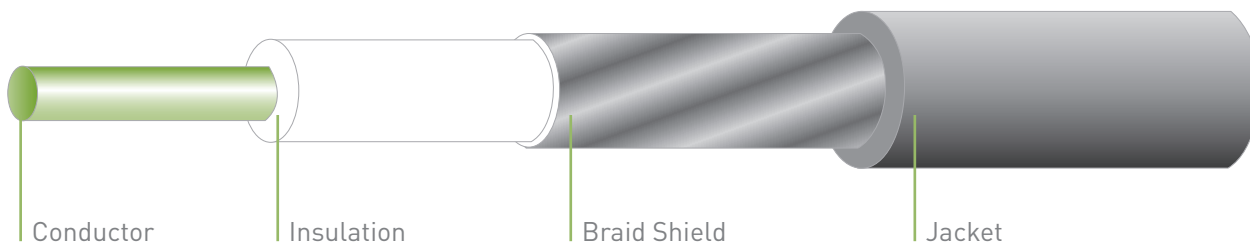


2. 1.37 Cable Specification

2.1 Drawing - Cross Section



2.2 Structure and Dimensions



Conductor

- Material - Silver Coated Copper
- 30AWG(7/0.102mm)
- Diameter - 0.31mm

Insulation

- Material - FEP
- Avg. Thickness - 0.30mm
- Diameter - 0.92 ± 0.03 mm
- Colour - Clear

Braid Shield

- Material - Tinned - Coated Copper
- Structure - 16/6/0.050mm ± 0.003
- Coverage - 95%
- Diameter - 1.15 ± 0.05 mm

Jacket

- Material - FEP
- Avg. Thickness - 0.13mm
- Diameter - 1.37 ± 0.05 mm
- Color - Grey GY-08/Black



2.3 Electrical & Physical Specification

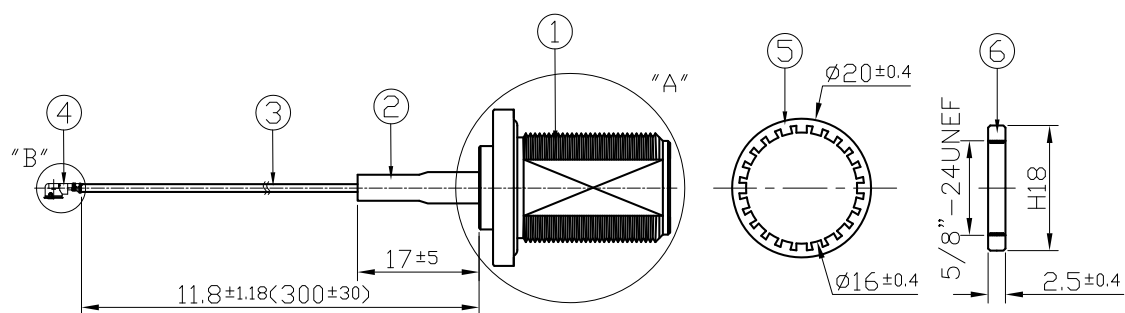
Specification

Item	30 AWG		
Rating Temp Voltage	105°C 30V UL 1979		
Insulation Resistance	3000 MEGA OHM-KM Min.		
Conductor Resistance	335 OHM/KM/20°C Max.		
Dielectric Strength	AC 1.0 KV/minute		
Spark test	2.5 KV		
Insulation	Unaged	Tensile Strength	2500 PSI Min. (1.76Kg/mm ²)
		Elongation	200% min.
Jacket	Aged	Tensile Strength	Unaged Min 75% (168HRS*232°C)
		Elongation	Unaged Min 75% (168HRS*232°C)
	Unaged	Tensile Strength	2500 PSI Min. (1.76Kg/mm ²)
		Elongation	200% min.
	Aged	Tensile Strength	Unaged Min 75% (168HRS*232°C)
		Elongation	Unaged Min 75% (168HRS*232°C)
Nom. Impedance	50 ± 3 Ohms		
Nom. Capacitance	96 ± 3 pF/m		
Nom. Vel. Of Prop.	69%		
VSWR (0-6GHz)	Max 1.3		
Flame Test	VW-1 OK		
Thermal Shock	Less 1mm at 232°C/1 HR		
Bend Radius	9mm min.		
Attenuation (dB/1M)	2.0GHz	2.20	
	2.4GHz	2.60	
	3.0GHz	2.80	
	4.0GHz	3.40	
	5.0GHz	3.80	
	6.0GHz	4.30	



3. Technical Drawing

3.1 CAB.954



	Name	Material	Finish	QTY
1	N Type (F) ST	Brass	Nickel	1
2	Heat Shrink Tube	PE	Black	1
3	1.37 Coaxial Cable	FEP	Black	1
4	IPEX MHFI	Brass	Gold	1
5	N Type Washer	Brass	Nickel	1
6	N Type Nut	Brass	Nickel	1



3.2 Connectors

