

## Excellent Integrated System Limited

Stocking Distributor

Click to view price, real time Inventory, Delivery & Lifecycle Information:

[Cinch Connectivity Solutions](#)

[PL50-1](#)

For any questions, you can email us directly:

[sales@integrated-circuit.com](mailto:sales@integrated-circuit.com)

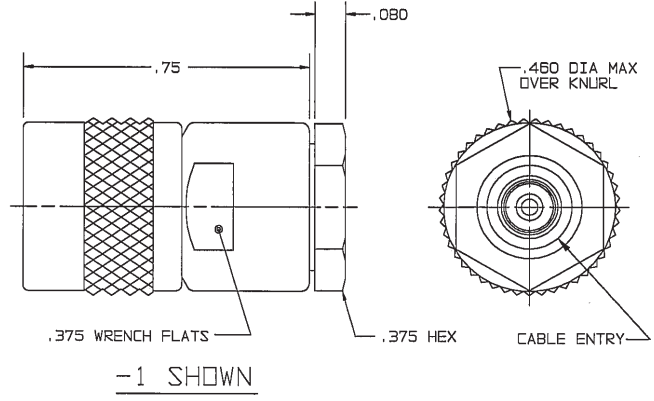
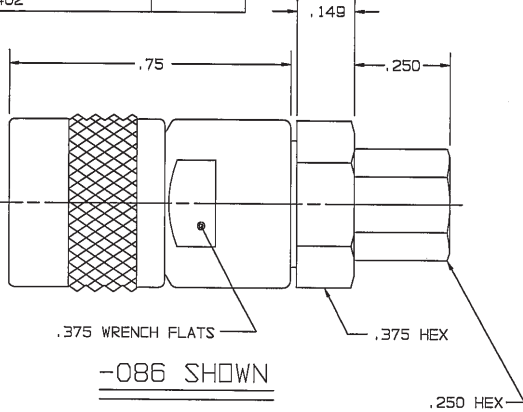
# RED INDICATES ORIGINAL

DASH NO	CABLES ACCOMMODATED	ASSEMBLE PER
-1	RG-58	TAI-135
-2	RG-59	
-2A	B279 BELDEN	TAI-108
-2B	730A AT&T	
-3	RG-223	TAI-135
-4	RG-122	
-5	RG-174	
-5A	RG-196	
-22	RG-180	
-31	GRUMMAN GCB75GP1	TAI-130
-36	CXN1362; GDRE	
-086	RG-405	
-141	RG-402	

INCH	MM
.005	0.13
.03	0.76
.080	2.03
.149	3.78
.250	6.35
.375	9.23
.460	11.68
.75	19.05

DWG SIZE B DATA CONTAINED IN THIS DOCUMENT IS PROPRIETARY TO TROMPETER ELECTRONICS INC. AND SHALL NOT BE DISCLOSED, COPIED OR USED FOR PROCUREMENT OR MANUFACTURE WITHOUT EXPRESS WRITTEN PERMISSION.

REVISIONS			1-0016		SH 1C
REV	ECD	DESCRIPTION	DWN	APPROVED	DATE
Y	13099	REDRAWN WITHOUT CHANGE TO ACCOMMODATE CUSTOMER NEED FOR ELECTRONIC FILE TRANSFER; SEE ECD	DKC		11/15/99



- NOT WRENCH CRIMP
- MALE TYPE TPS COAXIAL PLUG
  - FINISH: TFS-1A (NICKEL)
  - ALL DIMENSIONS ARE IN INCHES

QTY	DESCRIPTION	PART NUMBER	ITEM
TOL UNLESS SPECIFIED .XX ±.03 .XXX ±.005 .XXXX ± ANGLES ±		PL50	
DWN DKC 10-20-99	MATERIAL	CODE IDENT	DRAWING NO.
CHK		14949	1-0016
ENGR	SCALE 4/1	DATE 8-5-66	SHEET 1C
NEXT ASSY	APPR		