

Excellent Integrated System Limited

Stocking Distributor

Click to view price, real time Inventory, Delivery & Lifecycle Information:

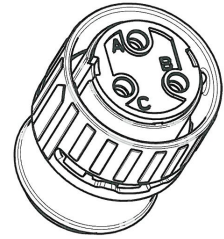
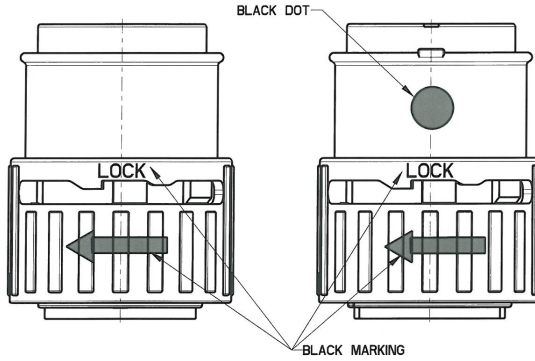
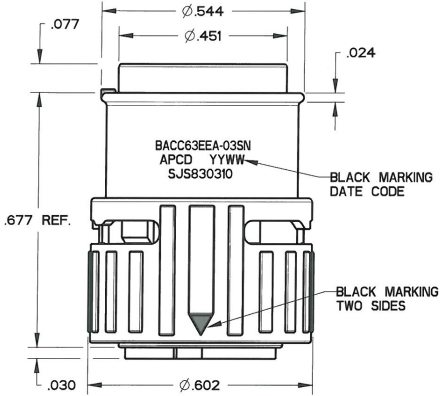
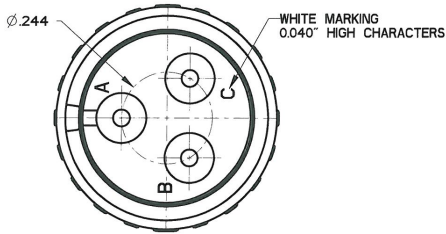
[Amphenol Pcd](#)
[SJS830310](#)

For any questions, you can email us directly:

sales@integrated-circuit.com

SJS830310

REV	ECN	APP'D
A	6351	JT 09/11/09
B	6473	JT 2/8/10
C	6481	JT 2/22/10
D	6573	JT 8/30/10
E	6655	JT 1/18/11



SCALE 3:1

- NOTES:
 1. MATERIALS:
 HOUSING: PA6/6
 CONTACT RETAINER: STAINLESS STEEL
 GROMMET: SILICONE RUBBER PER A-A-59588
 2. MATING CONTACTS: SEE TABLE I
 3. TEST SPECIFICATION: BACC63EE
 4. WHEN ASSEMBLED, "LOCK" AND ARROW MARKINGS MUST ALIGN WITH BLACK DOT
 5. PART MATES WITH SJS830300 OR SJS830320
 6. WEIGHT: 2.6 GRAMS
 7. SUPPLIED WITH DUST CAP

TABLE I

APCD P/N	BOEING P/N	P/N MARKING(S)	CONTACTS SUPPLIED
SJS830310	BACC63EEA-03SNH	BACC63EEA-03SN	NONE
SJS830311	BACC63EEA-03SN	SJS830310	(3) M39029/57-358

DIMENSIONS	TOLERANCES	PROJECTION	Amphenol Pcd SPECIFICATION DRAWING	TITLE
ANSI Y14.5M UNITS: INCHES Pro/E FILE	XX ±0.01 XXX ±0.005 ANGLES ±10°		ENGR FrankLi 02-Mar-09	BACC63EEA-03SN 3P SZ16 INLINE WHITE PLUG FOR SJS
ORIGINAL	THIS DOCUMENT CONTAINS PROPRIETARY INFORMATION WHICH IS THE CONFIDENTIAL PROPERTY OF AMPHENOL PCD INC., BEVERLY, MA	CHKD <i>MAL</i> 4/18/11 APPD <i>FrankLi</i> 1/18/11	SIZE B	DWG NO. SJS830310.CE

REV
E

CODE: 58982 SCALE: 4:1 SHEET 1 OF 1

SJS830310

SJS830310