

Excellent Integrated System Limited

Stocking Distributor

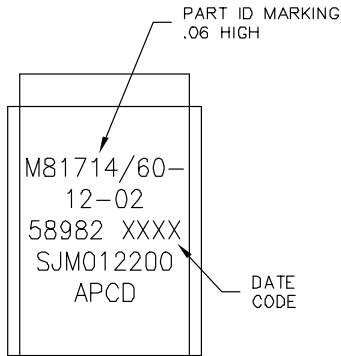
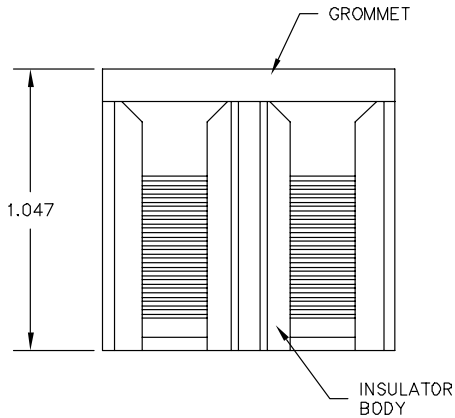
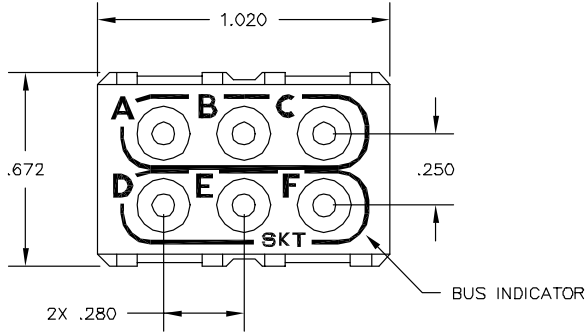
Click to view price, real time Inventory, Delivery & Lifecycle Information:

[Amphenol Pcd](#)
[SJM012201](#)

For any questions, you can email us directly:

sales@integrated-circuit.com

REV	ECN	APP'D
-	5430	JT 4/13/04



NOTES:

- MATERIALS:**
 BODY: POLYETHERIMIDE PER MIL-P-46184.
 GROMMET: SILICONE BLEND ELASTOMER.
 CONTACT RETAINERS: BERYLLIUM COPPER.
 INTERNAL PIN CONTACTS: COPPER ALLOY, HARD GOLD PLATE PER MIL-G-45204.
- PERFORMANCE SPECIFICATIONS:**
 OPERATING TEMP: -65° TO 200°C
 INSULATION RESISTANCE: 5000 MEGOHMS MIN @ 25°C
 DIELECTRIC WITHSTANDING VOLTAGE: 1500 VRMS AT SEA LEVEL AND 200 VRMS AT 110,000 FT. ALTITUDE.
 CURRENT RATING: 23 AMPS
 VIBRATION AND SHOCK: PER MIL-T-81714, PARAGRAPH 3.5.5 AND 3.5.8.
- MODULE SUPPLIED WITH SEVEN (7) M39029/22-605 SOCKET CONTACTS AND TWO (2) MS27488-12 SEALING PLUGS.

SOCKET CONTACT BOM		
APCD P/N	DESCRIPTION	QTY.
CNS123900	M39029/22-605 CONTACT, SZ12/12	7
CNA032403	SEALING PLUG, SZ12, YELLOW	2

DIMENSIONS ANSI Y14.5M UNITS: INCHES ACAD FILE	TOLERANCES .XX ±.01 .XXX ±.005 ANGLES ±2°	PROJECTION 	Amphenol Pcd SPECIFICATION DRAWING		TITLE SOCKET JUNCTION MODULE SIZE 12 - 2-BUS M81714/60-12-02		
			ENGR S. KONDO 3/29/04	CHKD D. GANDHI 4/13/04	SIZE A	DWG NO. SJM012200	REV -
ORIGINAL	THIS DOCUMENT CONTAINS PROPRIETARY INFORMATION WHICH IS THE CONFIDENTIAL PROPERTY OF AMPHENOL PCD INC. PEABODY, MA		APPD J. TON 4/13/04	CODE: 58982	SCALE: 2X	SHEET 1 OF 1	