

Excellent Integrated System Limited

Stocking Distributor

Click to view price, real time Inventory, Delivery & Lifecycle Information:

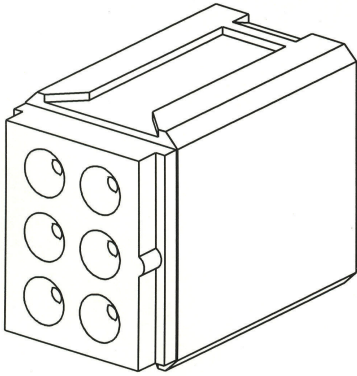
[Amphenol Pcd](#)
[SJM016301](#)

For any questions, you can email us directly:

sales@integrated-circuit.com

SJM016300_C

REV	ECN	APPD
J	5968	JT 10-4-06



- NOTES:
- PART MEETS ALL REQUIREMENTS OF MIL-T-81714/60
 - MATERIALS:
 GROMMET - SILICONE RUBBER PER A-A-59588
 BODY - POLYETHERIMIDE PER ASTM-D-5205
 INTERNAL CONTACT - BRASS PER ASTM-B16, GOLD PLATED PER SAE-AMS-2422
 CONTACT RETAINER CLIPS - STAINLESS STEEL PER ASTM-A666
 - PART ACCEPTS M39029/22-193 SOCKET CONTACTS. SEE TABLE

APCD P/N	SUPPLIED		MARKING	
	SKTS	PLUGS	APCD PART NO.	MIL. NO.
SJM016300	7	2	SJM016300	M81714/60-16-03
SJM016301	-	-	-	-

Amphenol Pcd SPECIFICATION DRAWING DRWN R. SWAINE 10/2/06 ENGR [Signature] 10/3/06 APPD [Signature] 10-4-06		SOCKET JUNCTION MODULE SIZE 16, 3-BUS	
DIMENSIONS ANSI Y14.5M UNITS: INCHES Pro/E FILE		TITLE SOCKET JUNCTION MODULE SIZE 16, 3-BUS	
TOLERANCES .XX ±0.01 .XXX ±0.005 ANGLES ±2.0°		SIZE DWG NO. B SJM016300_C	
PROJECTION 		CODE: 58982 SCALE: 8:3 SHEET 1 OF 1	
ORIGINAL 		THIS DOCUMENT CONTAINS PROPRIETARY INFORMATION WHICH IS THE CONFIDENTIAL PROPERTY OF AMPHENOL PCD INC., PEABODY, MA	

