

Excellent Integrated System Limited

Stocking Distributor

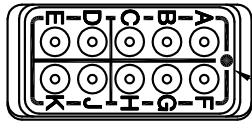
Click to view price, real time Inventory, Delivery & Lifecycle Information:

[Amphenol Pcd](#)
[TJE120997](#)

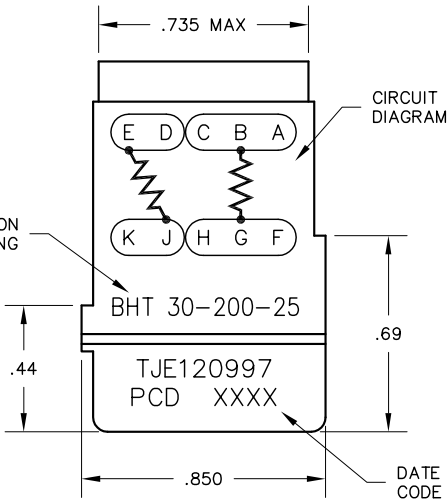
For any questions, you can email us directly:

sales@integrated-circuit.com

REV	ECN	APP'D
D		

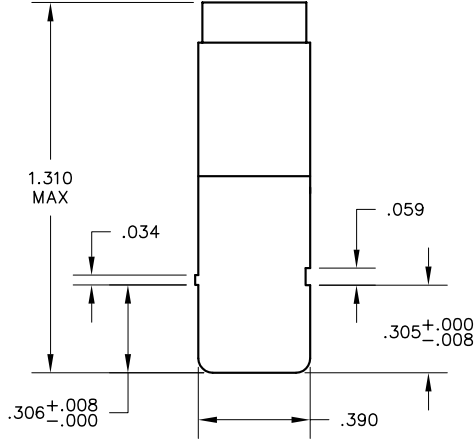


INDEXING INDICATOR



IDENTIFICATION MARKING

CIRCUIT DIAGRAM



NOTES:

1. MATERIALS:
HOUSING - POLYETHERIMIDE, COLOR: BLACK.
GROMMET - SILICONE ELASTOMER, COLOR: BLUE
RESISTORS - 100Ω±5%, 1/4 W, RLR07C101JS, QTY: 2
2. MODULE ACCEPTS M39029/1-101 PIN CONTACTS (NOT INCLUDED)

DIMENSIONS ANSI Y14.5M UNITS: INCHES ACAD FILE	TOLERANCES .XX ±.01 .XXX ±.005 ANGLES ±2°	PROJECTION 	SPECIFICATION DRAWING		<i>TITLE</i> ELECTRONIC MODULE RESISTOR, 100Ω, 1/4W RLR07C101JS								
			ENGR A. PATRIE 3/24/03		SIZE A		DWG NO. TJE120997		REV D				
ORIGINAL			THIS DOCUMENT CONTAINS PROPRIETARY INFORMATION WHICH IS THE CONFIDENTIAL PROPERTY OF PCD, INC. PEABODY, MA, USA							CHKD		CODE: 58982	