

Excellent Integrated System Limited

Stocking Distributor

Click to view price, real time Inventory, Delivery & Lifecycle Information:

[Central Semiconductor Corp](#)
[CMSD2004S TR](#)

For any questions, you can email us directly:
sales@integrated-circuit.com

CMSD2004S
SURFACE MOUNT
DUAL, IN SERIES
SILICON SWITCHING DIODES



www.centrasemi.com

DESCRIPTION:

The CENTRAL SEMICONDUCTOR CMSD2004S type is a dual, in series silicon switching diode manufactured by the epitaxial planar process, designed for applications requiring high voltage capability.

MARKING CODE: B6D

MAXIMUM RATINGS: (T_A=25°C)

Continuous Reverse Voltage
 Peak Repetitive Reverse Voltage
 Peak Repetitive Reverse Current
 Continuous Forward Current
 Peak Repetitive Forward Current
 Peak Forward Surge Current, tp=1.0µs
 Peak Forward Surge Current, tp=1.0s
 Power Dissipation
 Operating and Storage Junction Temperature
 Thermal Resistance

SYMBOL

V_R
 V_{RRM}
 I_{RRM}
 I_F
 I_{FRM}
 I_{FSM}
 I_{FSM}
 P_D
 T_J, T_{stg}
 Θ_{JA}

UNITS

300
 300
 200
 225
 625
 4.0
 1.0
 275
 -65 to +150
 455
 V
 V
 mA
 mA
 mA
 A
 A
 mW
 °C
 °C/W

ELECTRICAL CHARACTERISTICS PER DIODE: (T_A=25°C unless otherwise noted)

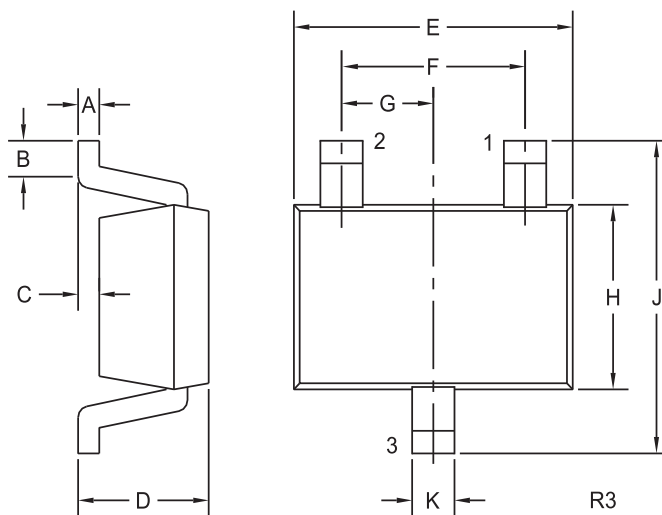
SYMBOL	TEST CONDITIONS	MIN	MAX	UNITS
I _R	V _R =240V		100	nA
I _R	V _R =240V, T _A =150°C		100	µA
BV _R	I _R =100µA	300		V
V _F	I _F =100mA		1.0	V
C _T	V _R =0, f=1.0MHz		5.0	pF
t _{tr}	I _F =I _R =30mA, I _{rr} =3.0mA, R _L =100Ω		50	ns

CMSD2004S

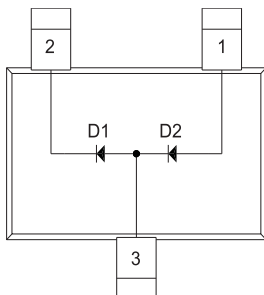
SURFACE MOUNT
DUAL, IN SERIES
SILICON SWITCHING DIODES



SOT-323 CASE - MECHANICAL OUTLINE



PIN CONFIGURATION



LEAD CODE:

- 1) Anode D2
- 2) Cathode D1
- 3) Anode D1, Cathode D2

MARKING CODE: B6D

SYMBOL	DIMENSIONS			
	INCHES		MILLIMETERS	
	MIN	MAX	MIN	MAX
A	0.002	0.008	0.05	0.20
B	0.004	-	0.10	-
C	-	0.004	-	0.10
D	0.031	0.043	0.80	1.10
E	0.071	0.087	1.80	2.20
F	0.051		1.30	
G	0.026		0.65	
H	0.045	0.053	1.15	1.35
J	0.079	0.087	2.00	2.20
K	0.008	0.016	0.20	0.40

SOT-323 (REV: R3)

R6 (8-February 2010)

OUTSTANDING SUPPORT AND SUPERIOR SERVICES



PRODUCT SUPPORT

Central's operations team provides the highest level of support to insure product is delivered on-time.

- Supply management (Customer portals)
- Inventory bonding
- Consolidated shipping options
- Custom bar coding for shipments
- Custom product packing

DESIGNER SUPPORT/SERVICES

Central's applications engineering team is ready to discuss your design challenges. Just ask.

- Free quick ship samples (2nd day air)
- Online technical data and parametric search
- SPICE models
- Custom electrical curves
- Environmental regulation compliance
- Customer specific screening
- Up-screening capabilities
- Special wafer diffusions
- PbSn plating options
- Package details
- Application notes
- Application and design sample kits
- Custom product and package development

CONTACT US

Corporate Headquarters & Customer Support Team

Central Semiconductor Corp.
145 Adams Avenue
Hauppauge, NY 11788 USA
Main Tel: (631) 435-1110
Main Fax: (631) 435-1824
Support Team Fax: (631) 435-3388
www.centrasemi.com

Worldwide Field Representatives:
www.centrasemi.com/wwreps

Worldwide Distributors:
www.centrasemi.com/wwdistributors

For the latest version of Central Semiconductor's **LIMITATIONS AND DAMAGES DISCLAIMER**, which is part of Central's Standard Terms and Conditions of sale, visit: www.centrasemi.com/terms