



**Distributor of Molex Connector Corporation: Excellent Integrated System Limited**  
Datasheet of 67356-0062 - D-Sub Connector Receptacle, Female Sockets 9 Position Through  
Hole, Right Angle Solder

Contact us: [sales@integrated-circuit.com](mailto:sales@integrated-circuit.com) Website: [www.integrated-circuit.com](http://www.integrated-circuit.com)

---

## **Excellent Integrated System Limited**

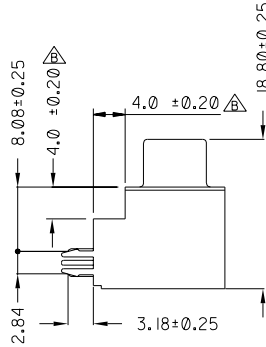
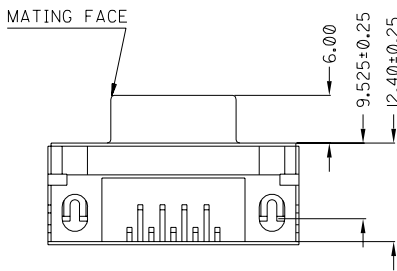
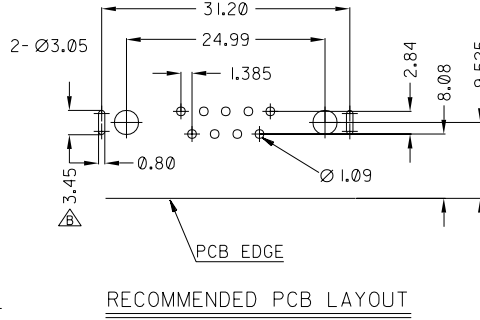
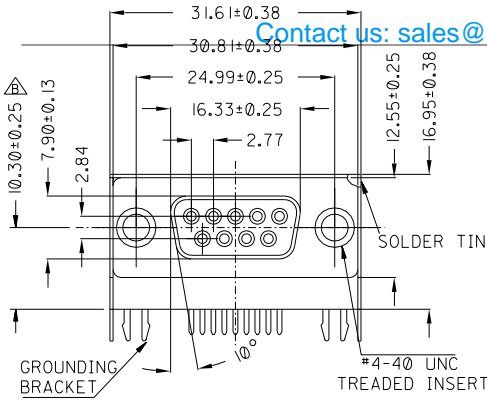
Stocking Distributor

Click to view price, real time Inventory, Delivery & Lifecycle Information:

[Molex Connector Corporation](#)  
[67356-0062](#)

For any questions, you can email us directly:  
[sales@integrated-circuit.com](mailto:sales@integrated-circuit.com)

Contact us: sales@integrated-circuit.com Website: www.integrated-circuit.com



NOTES:

- MATERIALS:  
 HOUSING : POLYESTER,30% GLASS FIBER FILLED,  
 UL-94V-0,COLOR:BLACK  
 TERMINAL : PHOSPHOR BRONZE  
 SHELL : SPCC
- FINISH:  
 ▲ TERMINAL PLATING : GOLD FLASH ON CONTACT AREA.  
 TIN-LEAD ON SOLDERING TAIL .  
 NICKEL UNDERPLATING  
 SHELL PLATING : TIN-LEAD PLATED OVERALL.  
 UNDERPLATE : NICKEL PLATED
- 2 PCS #4-40 SCREW ATTACHED.
- PRODUCT SPEC.: PS-67356-003

ENG. NO. 67356-0062  
 EDP NO.  
 CADFILE NO. S6735602.S01  
 SIMILAR ITEM  
 DO NOT SCALE DRAWING

REVISE PLATING SPEC. EC NO. 12002-0193 DRW: Vincent Lin CHK: APPR:	RELEASE PER PDR MXT 2469 EC NO. 12000-0264 DRW: T. Tung 01/04/25 CHK: Wilson Chang APPR: Mega Lin	QUALITY SYMBOLS MAJOR CRITICAL	GENERAL TOLERANCES: (UNLESS SPECIFIED)		SCALE	DESIGN UNITS <input checked="" type="checkbox"/> mm <input type="checkbox"/> INCH	THIRD ANGLE PROJECTION	DIMENSIONS: <input type="checkbox"/> mm <input type="checkbox"/> INCH <input checked="" type="checkbox"/> mm ONLY		I SHT	C REV	
			4 PLACES ± .	3 PLACES ± .	2 PLACES ±0.25	1 PLACE ±0.25	ANGULAR: ±3°	DRAWN BY & DATE G.Wang 00/02/15	CHECKED BY & DATE Wilson Chang	APPROVED BY & DATE Mega Lin	CAD FILENAME S6735602.S01	MATERIAL NO. 67356-0062
C	B	REV	DRAFT WHERE APPLICABLE MUST REMAIN WITHIN DIMENSIONS		THIS DRAWING CONTAINS INFORMATION THAT IS PROPRIETARY TO MOLEX INCORPORATED AND SHOULD NOT BE USED WITHOUT WRITTEN PERMISSION.							SIZE A3