

Excellent Integrated System Limited

Stocking Distributor

Click to view price, real time Inventory, Delivery & Lifecycle Information:

[Molex Connector Corporation](#)
[0731010040](#)

For any questions, you can email us directly:

sales@integrated-circuit.com

MATERIALS AND FINISHES

BODY: ZINC ALLOY
PLATED NICKEL

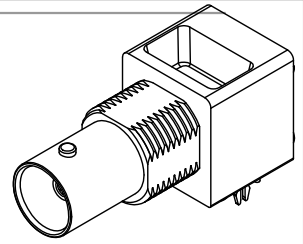
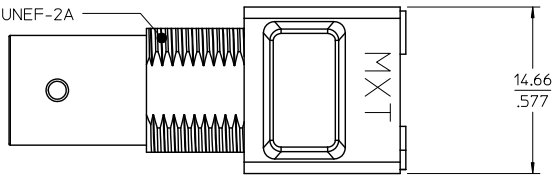
SOLDER TAIL(GROUND): COPPER OVER STEEL
PLATED TIN

SOLDER TAIL(SIGNAL): COPPER OVER STEEL
PLATED GOLD

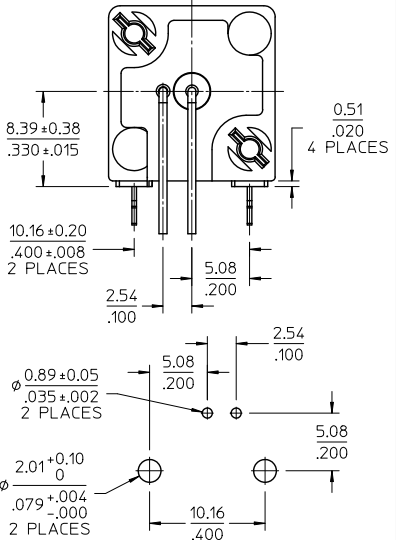
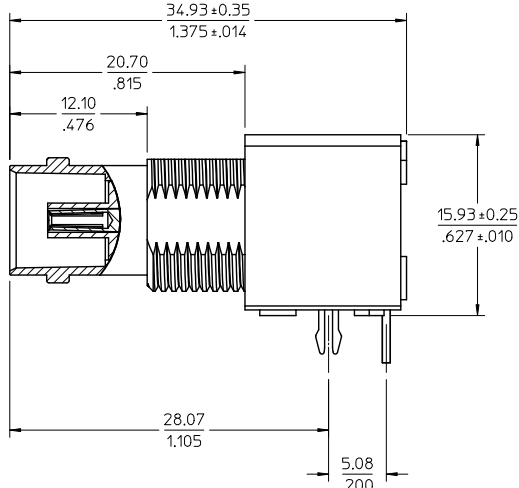
CENTER CONTACT: PHOSPHOR BRONZE
PLATED GOLD

INSULATOR: POLYPROPYLENE (94V2)

BOARD LOCK: PHOSPHOR BRONZE
PLATED TIN



NOTE:
LEADS MAY NEED TO BE
ADJUSTED TO FIT PCB



RECOMMENDED MOUNTING HOLE
PANEL THICKNESS: 5.40(.216) MAX
RECOMMENDED MOUNTING TORQUE:
1.36 N-m(12 INCH LBS) MAX

73171-4310	QTY (1) OF 73101-0040 IN SINGLE BAG WITH LABEL
73101-0040	BULK
PART NO.	PACKAGING

PS-89675-1030	PRODUCT SPECIFICATION
SPECIFICATION	DESCRIPTION

ORIGINALLY DRAWING BY WILSON 1996/03/01

CHG: ADD 73171-4310 EC NO: URF202-0419 DRAWN BY: DRWINBRIDGEMALLEY CHKD BY: CHKRODAR APPR: JWENER	QUALITY SYMBOLS ▽=0 ▽=0	GENERAL TOLERANCES (UNLESS SPECIFIED)		DIMENSION STYLE		SCALE	DESIGN UNITS	THIRD ANGLE PROJECTION
		mm	INCH	MM/IN		METRIC		
REV C3	4 PLACES	±	---	DRAWN BY	DATE	TITLE		
	3 PLACES	±	---	AROBERTSON	2011/07/29	BNC JACK, R/A PCB		
	2 PLACES	±	---	CHECKED BY	DATE	75 OHM BOARD LOCKS		
	1 PLACE	±	---	SSS	2011/07/29	BNC-J/PCB, EWR-1149		
	ANGULAR ± 2 °			APPROVED BY	DATE	MOLEX INCORPORATED		
	DRAFT WHERE APPLICABLE MUST REMAIN WITHIN DIMENSIONS			JWIENER	2011/07/29	MOLEX INCORPORATED		
	SEE TABLE			MATERIAL NO.	DOCUMENT NO.	SD-73101-0040		
	THIS DRAWING CONTAINS INFORMATION THAT IS PROPRIETARY TO MOLEX INCORPORATED AND SHOULD NOT BE USED WITHOUT WRITTEN PERMISSION			SIZE		SHEET NO. 1 OF 1		