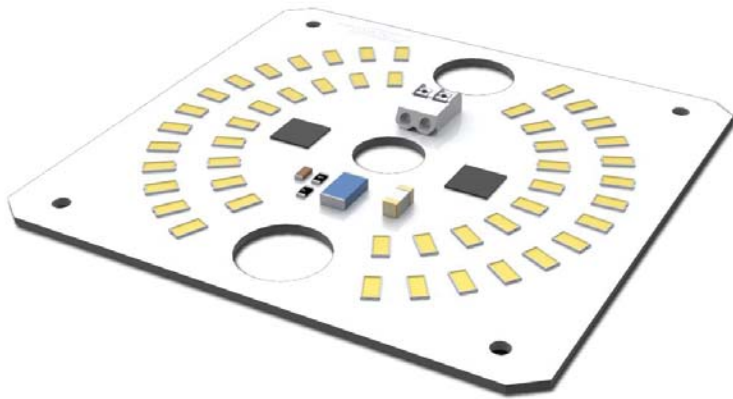
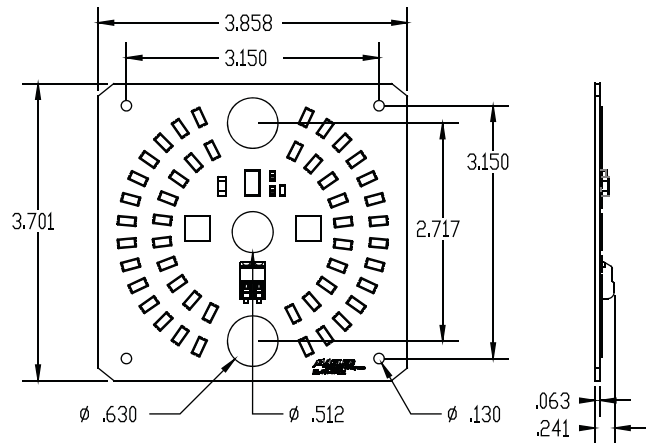


ML-010-07-0006/xxK



DIMENSIONS



BENEFITS

- Slim, simple and cost effective design
- Connect directly to AC, no external driver needed
- High system efficacy
- Low total life cycle cost
- Flicker free AC operation

PERFORMANCE

- 50,000 Hours
- Lumen output
- Color temp ranging from 2700k to 5000k
- CRI 80+ (90+ Available)
- Three step Mcadam design

CERTIFICATIONS:

- All modules are UL recognized components under file: E342490

ELECTRICAL CHARACTERISTICS

- Input voltage: 120VAC
- High power factor (>0.9) with no electrolytic capacitor or inductors
- Lower THD level is compatible with strict regulatory standards worldwide
- Over voltage, input surge protection
- Compatible with current (ELV) reverse phase dimmers



Product Code	Dimensions [in]	Lumen Output [lm]	CCT [K]	System efficacy [lm/w]	CRI [Ra]	Wattage	LED type
ML-010-07-0006/27k	3.7x3.85"	1550	2700k	105	80+	16 watt	5630 MJT
ML-010-07-0006/30k	3.7x3.85"	1550	3000k	105	80+	16 watt	5630 MJT
ML-010-07-0006/40k	3.7x3.85"	1550	4000k	105	80+	16 watt	5630 MJT
ML-010-07-0006/50k	3.7x3.85"	1550	5000k	105	80+	16 watt	5630 MJT

*** Special CCTs are available with special order

NOTES:

- All LED Light Modules are available in 2700K, 3000K, 4000K and 5000K
- Current models are 120VAC
- All lumen output and light efficacy are measured are derived from published documentation.
- Optimal case temperature $T_c = 65^\circ\text{C}$
- Storage temperature : $-40^\circ\text{C} \sim 80^\circ\text{C}$
- Operating temperature : $-35^\circ\text{C} \sim 65^\circ\text{C}$

ML-010-07-0006 00006