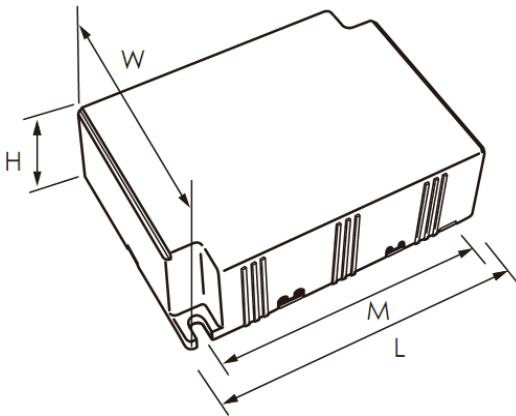


40 watt CONSTANT CURRENT LED DRIVER

ML-B40-UVQ-XXX

Total power: 40W
 Input voltage: 120~277Vac ± 10%
 Number of outputs: One
 UL 8750
 IP20 or IP66 design
 Dimmable with 0-10V dimmer
 5 year warranty



ELECTRICAL SPECIFICATIONS:

Input voltage range: 120~277Vac ± 10%
 Frequency: 50/60Hz
 Power factor: >0.9 @full load, 120V ~ 277V
 Inrush current: 7A @230V
 Max input current: 0.44A @120V and 0.20A@277V
 THD: <20%
 Protection: Over voltage, Over current and Short circuit
 Withstand voltage I/P – O/P 2k Vac

ENVIRONMENTAL SPECIFICATIONS:

Operating temperature: -30 to 60°C
 Storage temperature: -40 to 85°C
 Humidity: 5% to 95%
 MTBF: 302,000 hours at 40°C ambient (~70°C Case temp)
 Maximum case Temperature 90°C

ORDERING INFORMATION:

Model Number	Max output power	Output Current	Output Voltage	Efficiency	Remote mounting distance (#18 AWG)	Class 2	
						US	Canada
ML-B40-UVQ-700	40 watt	700mA	19-59V	87%	54 ft	√	x

SAFETY AND EMC COMPLIANCE:

UL/cUL UL 8750
 FCC, 47CFR Part 15 Class B Consumer Limit
 EN61000-3-2

PHYSICAL DIMENSIONS:

Length (L): 3.76"
 Width (W): 2.81"
 Height (H): 1.26"
 Mounting (M): 3.34"
 Weight: 0.36 kg

WIRE SPECIFICATIONS:

Input: 12", UL 1316 #18AWG (White and Black)
 Output: 12", UL 1569 #18AWG (With Non-Class 2 output)
 12", UL 1430 #22AWG (With Class 2 output) (Red and Blue)
 Dimming: 12", UL 1430 #22AWG