

Excellent Integrated System Limited

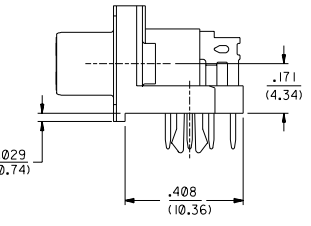
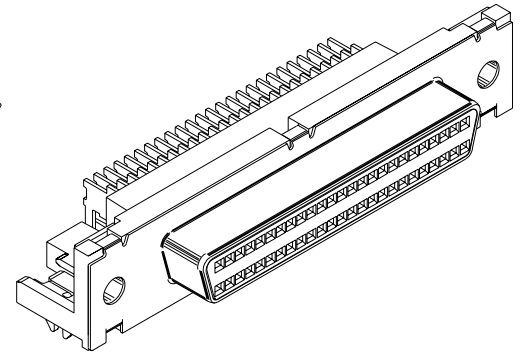
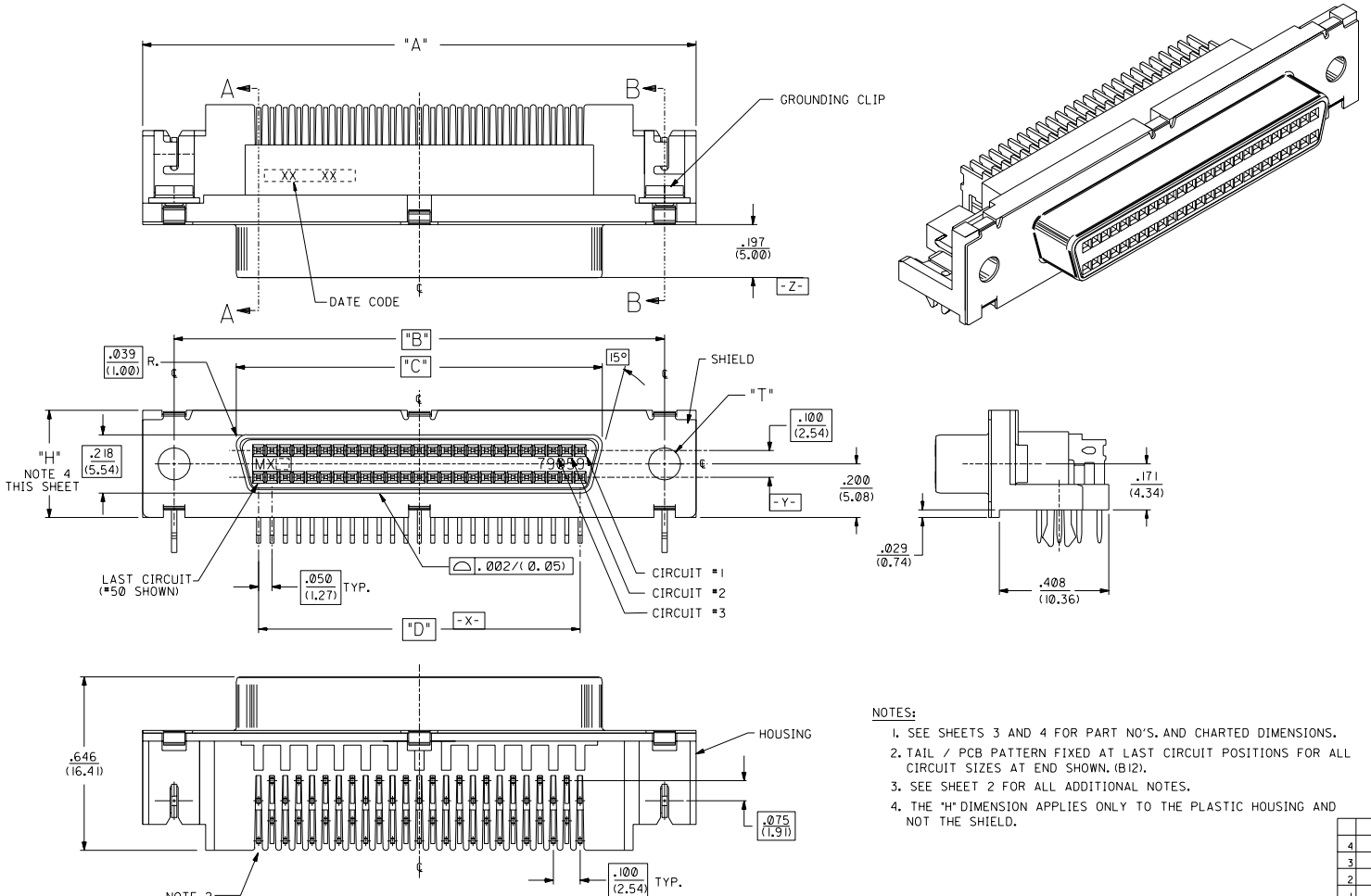
Stocking Distributor

Click to view price, real time Inventory, Delivery & Lifecycle Information:

[Molex Connector Corporation](#)
[15-87-6061](#)

For any questions, you can email us directly:

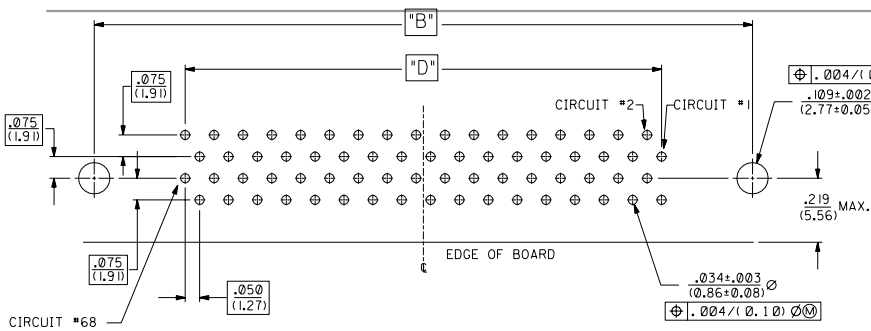
sales@integrated-circuit.com



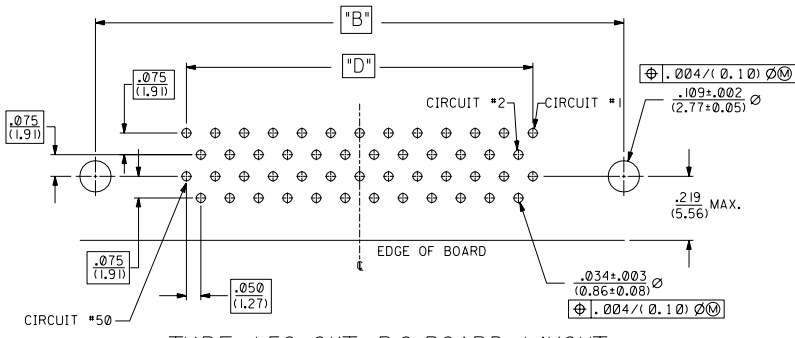
- NOTES:**
- SEE SHEETS 3 AND 4 FOR PART NO'S. AND CHARTED DIMENSIONS.
 - TAIL / PCB PATTERN FIXED AT LAST CIRCUIT POSITIONS FOR ALL CIRCUIT SIZES AT END SHOWN. (B12).
 - SEE SHEET 2 FOR ALL ADDITIONAL NOTES.
 - THE 'H' DIMENSION APPLIES ONLY TO THE PLASTIC HOUSING AND NOT THE SHIELD.

4	N
3	N
2	N
1	N
MFG, SKL, REV.	

NOTES ON SHEETS 4,5 FOR SCREWLOKS ECR UC2004-0248 RWHITE 03/07/31 ADDED NOT TOOLED TO CHART PER EC *UDT1999-0167 J. LONG N98/09/08		DIMENSIONS SHOWN (METRIC) INCH UNLESS OTHERWISE SPECIFIED TOLERANCES SHOWN ARE: 1/25		REVISE ONLY ON CAD SYSTEM	
N	ORSOLETE PART # ECR* UC2005-0311 BSMART 04/08/09	K2		TITLE: SALES ASSEMBLY SCS1 SHIELDED RECEPTACLE	
M	LEADFREE ECR* UC2004-1025 DMORGAN 04/04/06	K1		SHEET NO. DATE: 1 OF 4 03/27/89	
LTR. REVISIONS		LTR. REVISIONS		PART NO. MOLEX INCORPORATED FILE NAME: S158953A1 DRG. NO. SCS1	
				SEE CHARTS SDA-79059-1	
				THIS DRAWING CONTAINS INFORMATION THAT IS PROPRIETARY TO MOLEX INC. AND SHOULD NOT BE USED WITHOUT WRITTEN PERMISSION. DC	



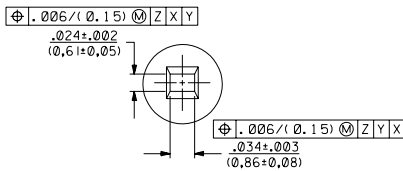
TYPE 1168 CKT P.C. BOARD LAYOUT
CONNECTOR SIDE (SCALE 4:1)



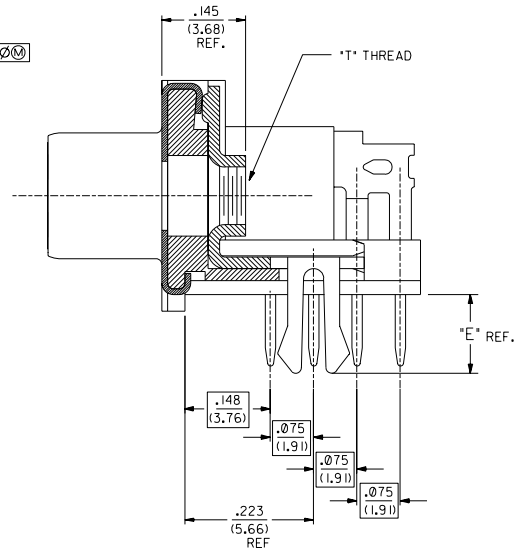
TYPE 150 CKT P.C. BOARD LAYOUT
CONNECTOR SIDE (SCALE 4:1)

NOTES:

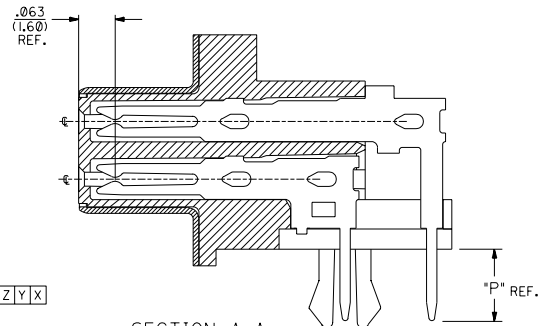
- REFER TO PS-79058 PRODUCT SPEC. FOR ELECTRICAL, MECHANICAL AND ENVIRONMENTAL SPECIFICATIONS.
 - MATERIAL:
RECEPTACLE HOUSING: GLASS FILLED LCP (LIQUID CRYSTAL POLYMER; COLOR-BLACK; UL 94V-0)
CONTACTS: PHOSPHOR BRONZE
SHIELD: STEEL WITH BRIGHT TIN OVER NICKEL PLATING OVER COPPER FLASH.
GROUNDING CLIP: BRASS WITH TIN OVER NICKEL PLATE
 - PACKAGING:
PARTS PACKAGED IN TUBES PER PK-70873-0207
 - PLATING:
SELECTIVE GOLD: THICKNESS= 30 MICROINCHES/(0.76 MICROMETERS) MINIMUM.
SELECTIVE TIN: THICKNESS= 75 MICROINCHES/(1.90 MICROMETERS) MINIMUM.
NICKEL UNDERPLATE OVERALL.
- NOTE FOR LEAD FREE CONVERSION:
THE PRIMARY SHIPPING CARTON WILL BE LABELED *COMPLIANT TO ROHS DIRECTIVE 2002/95/EC AND ELV ANNEX II OF DIRECTIVE 2000/53/EC*. CARTONS WITHOUT THIS LABEL MAY CONTAIN PRODUCT WITH LEAD.



PIN WINDOW DETAIL
SCALE 10:1



SECTION B-B



SECTION A-A
SEE NOTE 2 (SHEET 1)

DIMENSIONS SHOWN METRIC/INCH		REVISE ONLY ON CAD SYSTEM	
UNLESS OTHERWISE SPECIFIED TOLERANCES ARE AS FOLLOWS		MFG. SH. REV.	
3 PLAGE ± .005	---	SCSI SHIELDED RECEPTACLE ASSEMBLY	
2 PLAGE ± ---	± 0.15	MOLEX INCORPORATED SHEET NO. DATE	
1 PLAGE ---	---	L15L/CALL 60932 U.S.A. 08/14/89	
DRAFT NUMBER APPLICABLE MUST REMAIN WITHIN DIMENSIONS		PART NO. DRWG. NO.	
DRG. (7) 60932		SEE CHARTS SDA-79059-1***	
APP'D. DJB		FILE NAME S79059A2	
CHK'D. BOWEN		THIS DRAWING CONTAINS INFORMATION THAT IS PROPRIETARY TO MOLEX INC. AND SHOULD NOT BE USED WITHOUT WRITTEN PERMISSION.	
SCALE 8 : 1		TDR. DC	