



Excellent Integrated System Limited

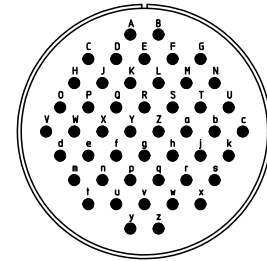
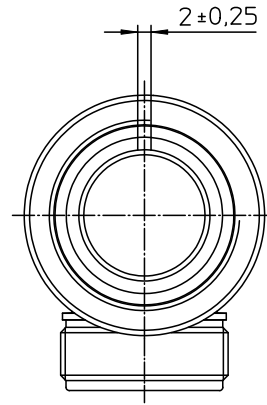
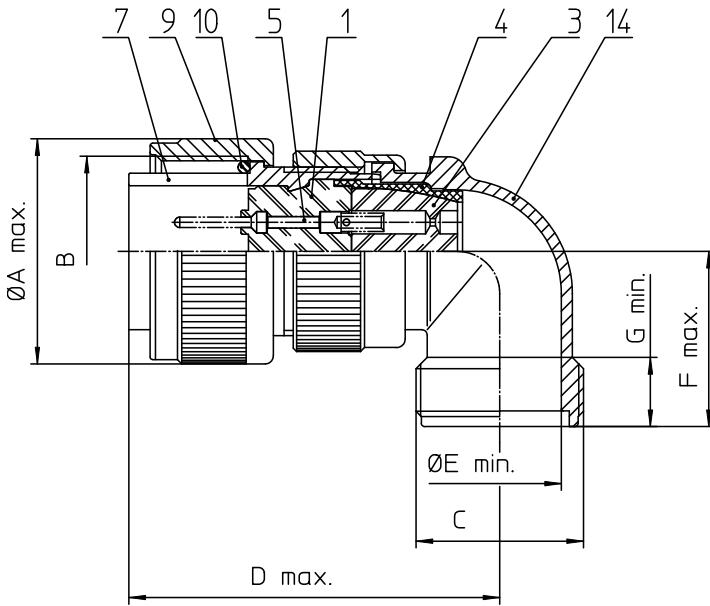
Stocking Distributor

Click to view price, real time Inventory, Delivery & Lifecycle Information:

[ITT Cannon, LLC](#)
[MS3108R36-10PW](#)

For any questions, you can email us directly:

sales@integrated-circuit.com



NO.	MASSE / DIMENSION
A	62.8
B	2 1/4-16UN-2B
C	2-18NS-2A
D	58
E	43.6
F	46.0

NO.	BESCHREIBUNG / DESCRIPTION
1	ISOLIERKÖRPER STIFT / INSULATOR PIN
3	DICHTKÖRPER / GROMMET
4	ENDRING / ENDRING
5	KONTAKTSTIFT/ CONTACT PIN
7	ZYLINDERGHÄUSE / BARREL
9	ÜBERWURFMUTTER / COUPLING NUT
10	DICHTRING FRONT / FRONT SEALING RING
12	ENDGEHÄUSE / ENDBELL

Note: Due to an automatic nomenclature system, numbers generated may not be sequential.
Specification and Dimensions subject to change Drawings illustrate normal insulator positioning
Material Specification:
Shell Material: Aluminium alloy
Shell Plating: Olive drab chromate coating over cadmium plating
Insulator Material: Neoprene
Contact Material: Copper alloy
Contact Plating: Hard silver

all dimensions are in mm Dimensions without tolerance indications are general tolerances in acc. with DIN 7168m	drawing for CUSTOMER
 ITT <i>Engineered for life</i> <small>ITT CANNON CORP 51100 Westfield, Germany</small>	description MS3108R36-10PW Plug 90° Shortened light-weight endbell without cable clamp Solder Cup / Pin / Layout: 36-10
© All rights reserved. Reproduction or issue in any form without the prior written authorization of ITT Cannon.	page 1/1 revision 377.3, Jul 16