



## **Excellent Integrated System Limited**

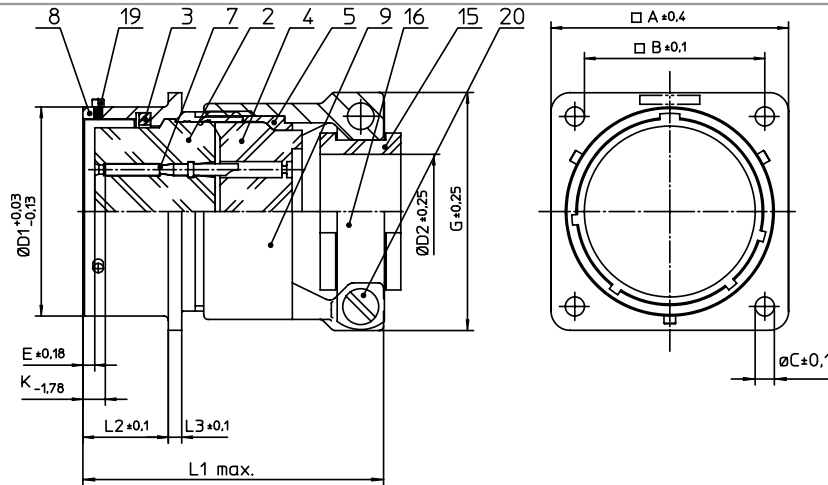
Stocking Distributor

Click to view price, real time Inventory, Delivery & Lifecycle Information:

[ITT Cannon, LLC](#)  
[MS3110F12-10SW](#)

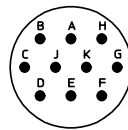
For any questions, you can email us directly:

[sales@integrated-circuit.com](mailto:sales@integrated-circuit.com)



| NO. | MASSE / DIMENSION |
|-----|-------------------|
| A   | 26.15             |
| B   | 20.6              |
| C   | 3.2               |
| D1  | 19.05             |
| D2  | 7.9               |
| E   | 0.46              |
| G   | 23.6              |
| K   | 3.89              |
| L1  | 56                |
| L2  | 11.6              |
| L3  | 1.9               |

| NO. | BESCHREIBUNG / DESCRIPTION              |
|-----|---|
| 2   | ISOLIERKÖRPER BUCHSE / INSULATOR SOCKET |
| 3   | DICHRING / GASKET                       |
| 4   | DICHTKÖRPER / GROMMET                   |
| 5   | ENDRING / ENDRING                       |
| 7   | KONTAKT BUCHSE / CONTACT SOCKET         |
| 8   | GEHÄUSE / RECEPTACLE                    |
| 9   | ENDGEHÄUSE / ENDBELL                    |
| 15  | KABELTÜLLE / BUSHING                    |
| 16  | KABELKLEMME / CABLE CLAMP               |
| 19  | BAYONETTSTIFT / BAYONET PIN             |
| 20  | ZYLINDER-SCHRAUBE / CYLINDER HEAD SCREW |



Note: Due to an automatic nomenclature system, numbers generated may not be sequential.  
Specification and Dimensions subject to change  
Drawings illustrate normal insulator positioning

| Material Specification: |  |
|-------------------------|--|
| Shell Material:         | Aluminium alloy                          |
| Shell Plating:          | Olive drab chromate over cadmium plating |
| Insulator Material:     | Polychloroprene                          |
| Contact Material:       | Copper alloy, gold plated                |
| Contact Plating:        | Copper alloy, gold plated                |

all dimensions are in mm

Dimensions without tolerance indications are general tolerances in acc. with DIN7168m

drawing for  
CUSTOMER



description MS3110F1210SW  
Wall mounting receptacle  
Grommet seal with strain relief  
Solder Cup / Socket / Layout: 12-10

© All rights reserved. Reproduction or issue in any form without written authorization of ITT Cannon



page 1/1

revision 1013.5, Jul 16