

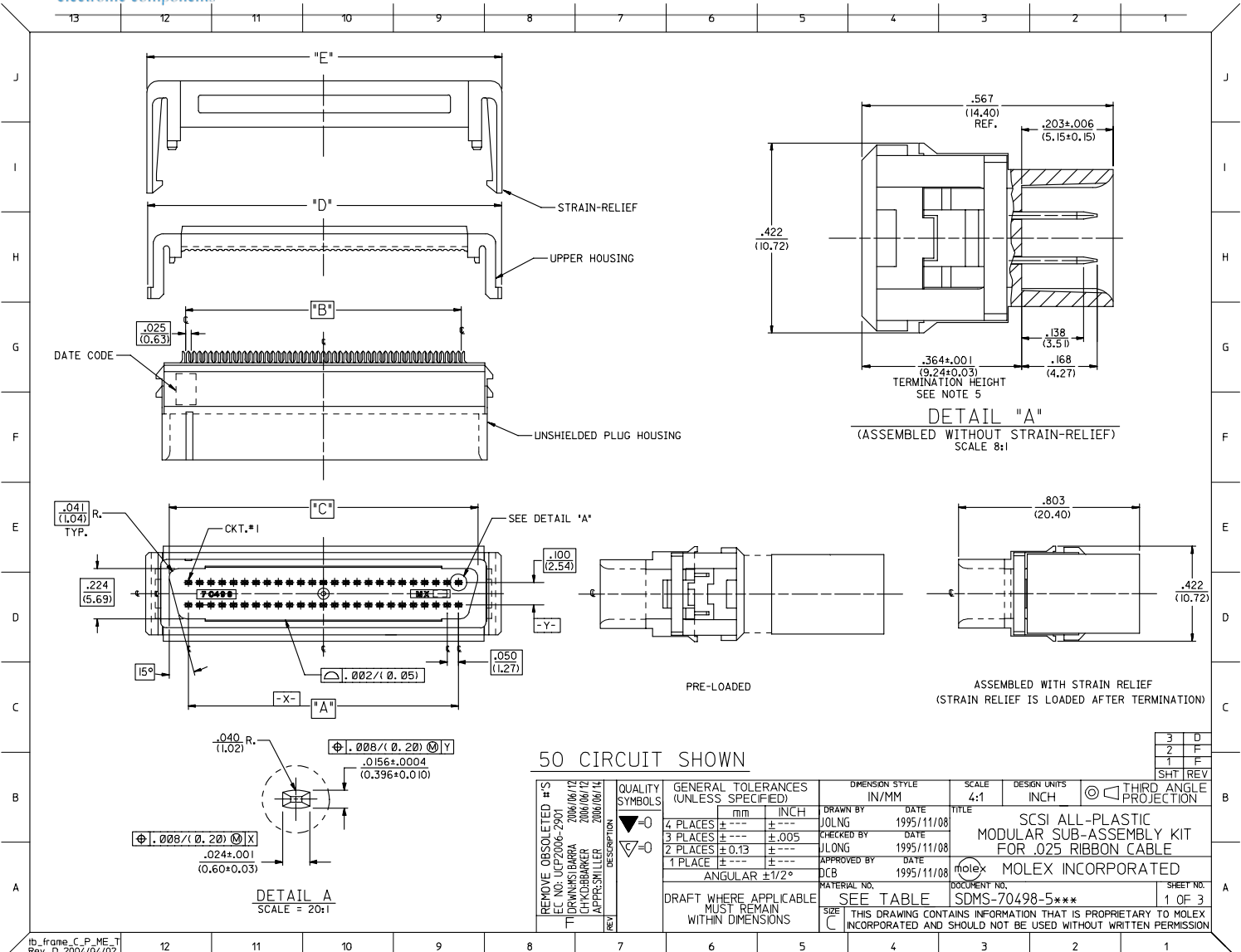
Excellent Integrated System Limited

Stocking Distributor

Click to view price, real time Inventory, Delivery & Lifecycle Information:

[Molex Connector Corporation](#)
[70498-5068](#)

For any questions, you can email us directly:
sales@integrated-circuit.com



50 CIRCUIT SHOWN

REMOVE OBSOLETE # S E.C. NO. UCP2006-2901 DRAWN BY BARBRA CHKD BY BARKER APPROV. MILLER	QUALITY SYMBOLS ▽=0 ▽=0	GENERAL TOLERANCES (UNLESS SPECIFIED)		DIMENSION STYLE	SCALE	DESIGN UNITS	THIRD ANGLE PROJECTION
		4 PLACES ± .005 ± .005	3 PLACES ± .005 ± .005	IN/MM	4:1	INCH	⊕
DRAWN BY DATE JOLNG 1995/11/08 CHECKED BY DATE JOLNG 1995/11/08 APPROVED BY DATE DCB 1995/11/08	DRAWN BY DATE JOLNG 1995/11/08 CHECKED BY DATE JOLNG 1995/11/08 APPROVED BY DATE DCB 1995/11/08	ANGULAR ±1/2°		MATERIAL NO.	DOCUMENT NO.	TITLE	
		DRAFT WHERE APPLICABLE MUST REMAIN WITHIN DIMENSIONS		SEE TABLE	SDMS-70498-5***	SCSI ALL-PLASTIC MODULAR SUB-ASSEMBLY KIT FOR .025 RIBBON CABLE	
SIZE C		THIS DRAWING CONTAINS INFORMATION THAT IS PROPRIETARY TO MOLEX INCORPORATED AND SHOULD NOT BE USED WITHOUT WRITTEN PERMISSION					

3	D
2	F
1	F
	SHT
	REV

SHEET NO.	1 OF 3
-----------	--------

NOTES:

- REFER TO PS-79058 PRODUCT SPEC FOR ELECTRICAL, MECHANICAL AND ENVIRONMENTAL SPECIFICATIONS.
- MATERIAL:
 PLUG HOUSING: POLYESTER (PBT), GLASS FILLES, UL94 V-0, COLOR: BLACK
 CONTACT: PHOSPHOR BRONZE
 UPPER HOUSING: POLYESTER (PBT), GLASS FILLES, UL94 V-0, COLOR: BLACK
 STRAIN RELIEF: POLYESTER (PBT), GLASS FILLES, UL94 V-0, COLOR: BLACK

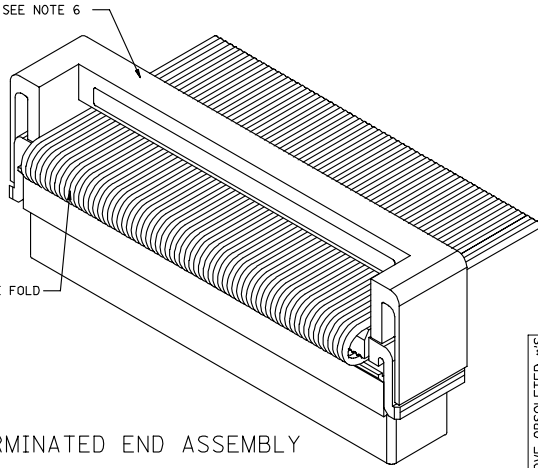
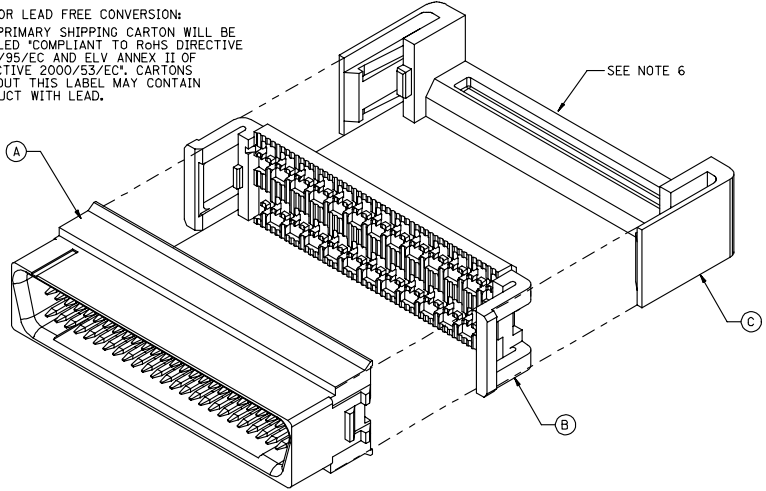
FINISHES: TERMINALS:

- (GOLD I5)
 SELECTIVE GOLD: THICKNESS= 15 MICROINCHES/(0.38 MICROMETERS) MINIMUM.
 SELECTIVE TIN: THICKNESS= 75 MICROINCHES/(1.90 MICROMETERS) MINIMUM.
 NICKEL UNDERPLATE OVERALL.
- (GOLD 30)
 SELECTIVE GOLD: THICKNESS= 30 MICROINCHES/(0.76 MICROMETERS) MINIMUM.
 SELECTIVE TIN: THICKNESS= 75 MICROINCHES/(1.90 MICROMETERS) MINIMUM.
 NICKEL UNDERPLATE OVERALL.

- PACKAGING: SUBASSEMBLY SUPPLIED IN TUBES AND UPPER HSG. AND STRAIN-RELIEF SUPPLIED IN BULK PER PK-70873-0258.
- RECOMMENDED CABLE: 30 AWG STRANDED OR SOLID, .025 RIBBON. CONTACT MOLEX INC. FOR LIST OF APPROVED CABLES.
- APPLICATION TOOL CLOSURE OVER ASSY TO BE CONTROLLED TO .364±.001 USING A POSITIVE STOP TO ASSURE PROPER TERMINATION.
- STRAIN-RELIEF MAY BE POSITIONED SO THE TIE-BAR ORIENTATION CAN BE ON EITHER SIDE IN RELATIONSHIP TO THE CONNECTOR 'D' SHAPE. IF THE STRAIN-RELIEF WILL BE USED ON A CABLE HARNESS AT AN END TERMINATION THE ORIENTATION SHOULD BE AS SHOWN. THE TIE-BAR SHOULD BE ON THE OPPOSITE SIDE OF THE CONNECTOR FROM THE CABLE FOLD.

NOTE FOR LEAD FREE CONVERSION:
 THE PRIMARY SHIPPING CARTON WILL BE LABELED *COMPLIANT TO ROHS DIRECTIVE 2002/95/EC AND ELV ANNEX II OF DIRECTIVE 2000/53/EC*. CARTONS WITHOUT THIS LABEL MAY CONTAIN PRODUCT WITH LEAD.

ITEM NO.	CKT. SIZE	PLATING TYPE	ITEM	DESCRIPTION/ITEM NO.	QTY	"A"		"B"		"C"		"D"		"E"	
						IN.	MM.	IN.	MM.	IN.	MM.	IN.	MM.	IN.	MM.
NA	50	GOLD 30	A	PLUG ASSEMBLY : 70498-2050	I	1,200	30.48	1,225	31.12	1,372	34.85	1,577	40.06	1,580	40.13
			B	UPPER HOUSING : 70497-1050	I										
			C	STRAIN-RELIEF : 70499-3050	I										
70498-5068	68	GOLD 30	A	PLUG ASSEMBLY : 70498-2068	I	1,650	41.91	1,675	42.54	1,822	46.28	2,027	51.49	2,030	51.56
			B	UPPER HOUSING : 70497-1068	I										
			C	STRAIN-RELIEF : 70499-3068	I										
70498-5101	68	GOLD 15	A	PLUG ASSEMBLY : 70498-2168	I	1,650	41.91	1,675	42.54	1,822	46.28	2,027	51.49	2,030	51.56
			B	UPPER HOUSING : 70497-1068	I										
			C	STRAIN-RELIEF : 70499-3068	I										
NA	68	GOLD 15	A	PLUG ASSEMBLY : 70498-2168	I	1,650	41.91	1,675	42.54	1,822	46.28	2,027	51.49	2,030	51.56
			B	UPPER HOUSING : 70497-1068	I										
			C	STRAIN-RELIEF : 70499-3068	I										



DETAIL FOR PK-70873-0258
 FOR TUBE/BULK PACKAGING
 ITEM SERIES 70498-50** & -51**

50 CIRCUIT ASSEMBLY

REMOVE OBSOLETE #S ELC NO: UCP2006-2901 2006/06/12 CHIKUBANKER APPROX: MILLER 2006/06/14	QUALITY SYMBOLS ▽=0 ▽=0	GENERAL TOLERANCES (UNLESS SPECIFIED)		DIMENSION STYLE IN/MM		SCALE 4:1	DESIGN UNITS INCH	THIRD ANGLE PROJECTION	
		4 PLACES ± --- ± ---	3 PLACES ± --- ± ---	2 PLACES ± --- ± ---	1 PLACE ± --- ± ---	ANGULAR ±1/2°	DRAWN BY JLONG DATE 1995/11/08		
		DRAFT WHERE APPLICABLE MUST REMAIN WITHIN DIMENSIONS			MATERIAL NO. SEE TABLE		DOCUMENT NO. SDMS-70498-5***		
					SIZE C		THIS DRAWING CONTAINS INFORMATION THAT IS PROPRIETARY TO MOLEX INCORPORATED AND SHOULD NOT BE USED WITHOUT WRITTEN PERMISSION		

TERMINATED END ASSEMBLY
 FOR REFERENCE ONLY