



## **Excellent Integrated System Limited**

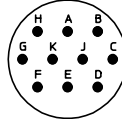
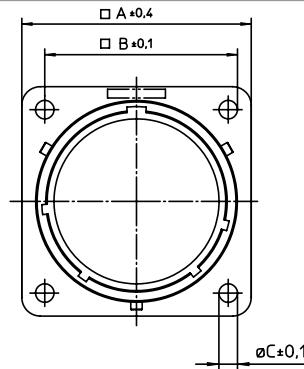
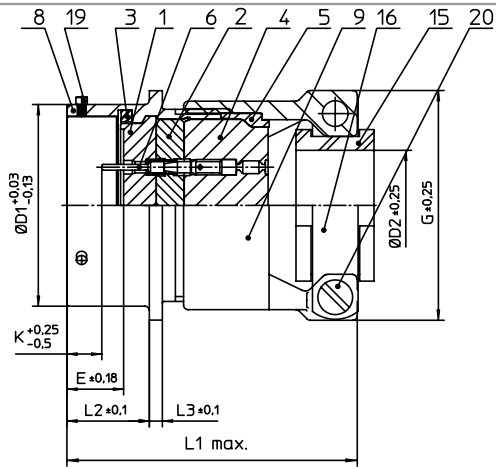
Stocking Distributor

Click to view price, real time Inventory, Delivery & Lifecycle Information:

[ITT Cannon, LLC](#)  
[MS3120F12-10PW](#)

For any questions, you can email us directly:

[sales@integrated-circuit.com](mailto:sales@integrated-circuit.com)



NO.	MASSE / DIMENSION
A	26.15
B	20.6
C	3.2
D1	19.05
D2	7.9
E	8.25
G	23.6
K	2.16
L1	56
L2	11.6
L3	1.9

NO.	BESCHREIBUNG / DESCRIPTION
1	ISOLIERKÖRPER STIFT / INSULATOR PIN
2	ISOLIERKÖRPER MITTE / WAVER
3	DICHTRING / GASKET
4	DICHTKÖRPER / GROMMET
5	ENDRING / ENDRING
6	KONTAKT STIFT / CONTACT PIN
8	GEHÄUSE / RECEPTACLE
9	ENDGEHÄUSE / ENDBELL
15	KABELTÜLLE / BUSHING
16	KABELKLEMME / CABLE CLAMP
19	BAYONETTSTIFT / BAYONET PIN
20	ZYLINDER-SCHRAUBE / CYLINDER HEAD SCREW

Note: Due to an automatic nomenclature system, numbers generated may not be sequential.  
Specification and Dimensions subject to change  
Drawings illustrate normal insulator positioning

Material Specification:	
Shell Material:	Aluminium alloy
Shell Plating:	Olive drab chromate over cadmium plating
Insulator Material:	Polychloroprene
Contact Material:	Copper alloy, gold plated
Contact Plating:	Copper alloy, gold plated

**all dimensions are in mm**  
Dimensions without tolerance indications are general tolerances in acc. with DIN7168m

drawing for  
**CUSTOMER**



description **MS3120F1210PW**  
Wall mounting receptacle  
Grommet seal with strain relief  
Crimp Contacts / Pin / Layout: 12-10

© All rights reserved. Reproduction or issue to third in any form without prior written authorization of ITT Cannon. page 1/1 revision 1012.5. Jul 16