



Excellent Integrated System Limited

Stocking Distributor

Click to view price, real time Inventory, Delivery & Lifecycle Information:

[Molex Connector Corporation](#)
[71233-0019](#)

For any questions, you can email us directly:

sales@integrated-circuit.com

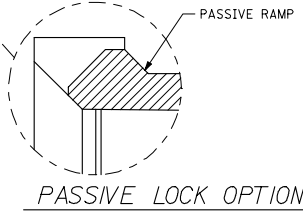
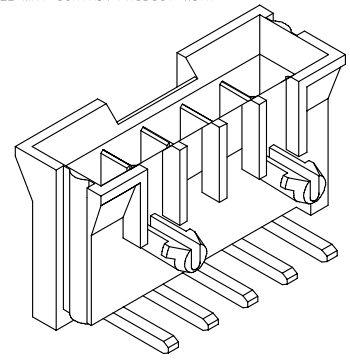
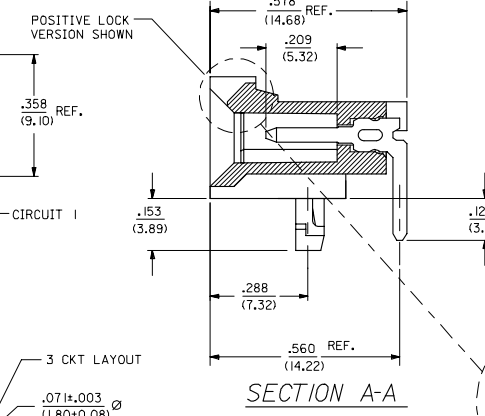
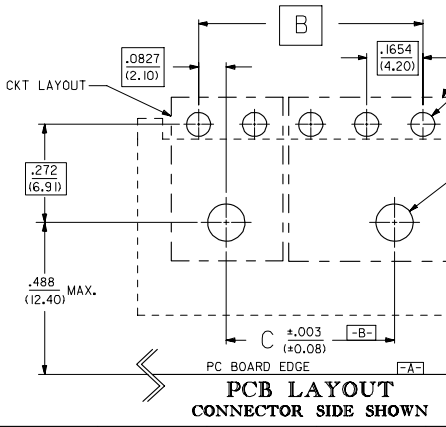
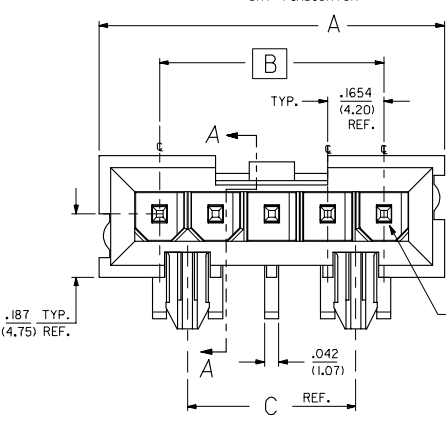
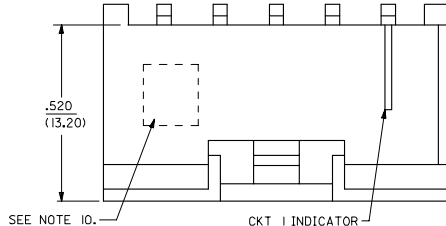
NOTES:

1. ASSEMBLY NO. 71233-0007 SHOWN FOR ILLUSTRATION.
2. MATES WITH PART NO. 71694-****, AND 5557-..
3. SEE FOLLOWING PAGES FOR PART NOS. & CONFIGURATIONS.
4. FINISHES (SEE CHARTS):
 TIN OVERALL - .000150/(0.0038) MINIMUM TIN OVERALL, OVER NICKEL UNDERPLATING OVERALL.
 30 GOLD - .000030/(0.00076) MINIMUM SELECT GOLD AND .000100/(0.00254) MINIMUM SELECT TIN OVER NICKEL UNDERPLATING OVERALL.
 15 GOLD - .000015/(0.00038) MINIMUM SELECT GOLD AND .000150/(0.0038) MINIMUM SELECT TIN OVER NICKEL UNDERPLATING OVERALL.
5. ITEM NO'S PRECEDED BY AN 'X' IN THE CHARTS ARE NOT AVAILABLE.
6. HOUSING MATERIAL: HIGH TEMP. 94V-0 GLASS FILLED POLYESTER MATERIAL COLOR: WHITE.
7. PIN MATERIAL: BRASS.
8. PART CONFORMS TO SPECIFICATION NO. PS-71690-001.
9. PACKAGING SPECIFICATIONS:
 FOR TRAY, SEE PK-71232-0000
 FOR TUBE, SEE PK-71233-0000

10. LOCATION FOR .25/(6.4) TALL "T" FOR 71233-5005.

NOTE FOR LEAD FREE CONVERSION:

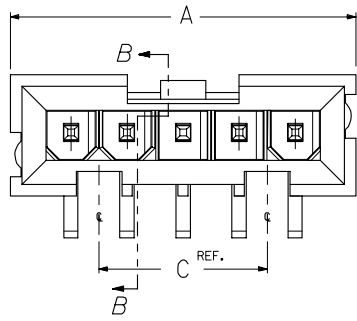
THE PRIMARY SHIPPING CARTON WILL BE LABELED "COMPLIANT TO RoHS DIRECTIVE 2002/95/EC AND ELV ANNEX II OF DIRECTIVE 2000/53/EC". CARTONS WITHOUT THIS LABEL MAY CONTAIN PRODUCT WITH LEAD.



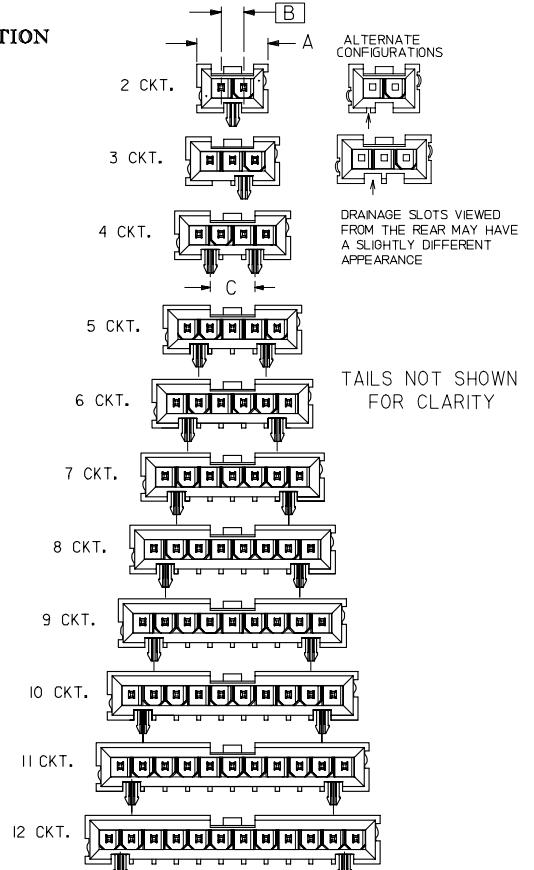
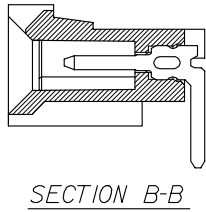
4	L
3	L
2	M
1	M
SHT	REV

SHOW ALT. CFG. HSGS. IEC NO. UCP2007-0516 DRWINGBARKER 2006/09/07 LKHJLJONGAN 2006/09/08 APPR:SMILLER 2006/09/12 RE:	QUALITY SYMBOLS	GENERAL TOLERANCES (UNLESS SPECIFIED)	DIMENSION STYLE	SCALE	DESIGN UNITS	THIRD ANGLE PROJECTION															
	▽=0 ▽=0	<table border="1"> <tr><th></th><th>mm</th><th>INCH</th></tr> <tr><td>4 PLACES</td><td>±.005</td><td>±.002</td></tr> <tr><td>3 PLACES</td><td>±.004</td><td>±.0015</td></tr> <tr><td>2 PLACES</td><td>±.003</td><td>±.001</td></tr> <tr><td>1 PLACE</td><td>±.002</td><td>±.0005</td></tr> </table> ANGULAR ±1/2°		mm	INCH	4 PLACES	±.005	±.002	3 PLACES	±.004	±.0015	2 PLACES	±.003	±.001	1 PLACE	±.002	±.0005	IN/MM	5:1	INCH	R W B C H E C T I V E
		mm	INCH																		
	4 PLACES	±.005	±.002																		
3 PLACES	±.004	±.0015																			
2 PLACES	±.003	±.001																			
1 PLACE	±.002	±.0005																			
DRAFT WHERE APPLICABLE MUST REMAIN WITHIN DIMENSIONS	DRAWN BY DATE RWB 8/2/93 CHECKED BY DATE PAR 8/2/93 APPROVED BY DATE FAH 8/2/93	TITLE RIGHT ANGLE THRU HOLE MINI-FIT HEADER MOLEX INCORPORATED	MATERIAL NO.	DOCUMENT NO.	SHEET NO.																
	SEE TABLES	SDA-71233-****			1 OF 4																

SEE SHEET 1 FOR ALL OTHER INFORMATION



NO PEG OPTION



OVERALL DIMENSIONS

ASSEMBLIES WITH & WITHOUT PEGS

SIZE	DIM. "A"		DIM. "B" BASIC		DIM. "C" REF.	
	INCH	(MM)	INCH	(MM)	INCH	(MM)
2	0.524	(13.31)	0.1654	(4.200)	N/A	N/A
3	0.689	(17.50)	0.3307	(8.400)	N/A	N/A
4	0.855	(21.71)	0.4961	(12.600)	0.330	(8.40)
5	1.020	(25.91)	0.6614	(16.800)	0.496	(12.60)
6	1.185	(30.10)	0.8268	(21.000)	0.661	(16.80)
7	1.351	(34.31)	0.9921	(25.200)	0.826	(21.00)
8	1.516	(38.50)	1.1575	(29.400)	0.992	(25.20)
9	1.682	(42.72)	1.3228	(33.600)	1.157	(29.40)
10	1.847	(46.91)	1.4882	(37.800)	1.322	(33.60)
11	2.012	(51.10)	1.6535	(42.000)	1.488	(37.80)
12	2.177	(55.30)	1.8189	(46.200)	1.653	(42.00)

SHOW ALT. CFG. HSGS IEC NO. UCF2007-0516 2006/09/07 DRW:BARBER CHK:KJONGAN APPR:SMILLER 2006/09/12	QUALITY SYMBOLS ▽=0 ▽=0	GENERAL TOLERANCES (UNLESS SPECIFIED)		DIMENSION STYLE IN/MM SCALE --- DESIGN UNITS INCH THIRD ANGLE PROJECTION																
		<table border="1"> <thead> <tr> <th></th> <th>mm</th> <th>INCH</th> </tr> </thead> <tbody> <tr> <td>4 PLACES</td> <td>±.005</td> <td>±.002</td> </tr> <tr> <td>3 PLACES</td> <td>±.005</td> <td>±.010</td> </tr> <tr> <td>2 PLACES</td> <td>±.025</td> <td>±.015</td> </tr> <tr> <td>1 PLACE</td> <td>±0.38</td> <td>±---</td> </tr> </tbody> </table>			mm	INCH	4 PLACES	±.005	±.002	3 PLACES	±.005	±.010	2 PLACES	±.025	±.015	1 PLACE	±0.38	±---	DRAWN BY DATE RWB 8/2/93 CHECKED BY DATE PAR 8/2/93 APPROVED BY DATE FAH 8/2/93	TITLE SINGLE ROW RIGHT ANGLE THRU HOLE MINIFIT HEADER ASSEMBLY
			mm	INCH																
		4 PLACES	±.005	±.002																
3 PLACES	±.005	±.010																		
2 PLACES	±.025	±.015																		
1 PLACE	±0.38	±---																		
ANGULAR ±1/2°		MATERIAL NO. SEE TABLES DOCUMENT NO. SDA-71233-****	MOLEX INCORPORATED																	
DRAFT WHERE APPLICABLE MUST REMAIN WITHIN DIMENSIONS		THIS DRAWING CONTAINS INFORMATION THAT IS PROPRIETARY TO MOLEX INCORPORATED AND SHOULD NOT BE USED WITHOUT WRITTEN PERMISSION																		

HOUSINGS WITH PEGS

SIZE	STAMP	ASSEMBLY ITEM NUMBER	PLATING SEE NOTE 4
2		71233-0001	TIN OVERALL
3		71233-0003	
4		71233-0005	
5		71233-0007	
6		71233-0009	
7		71233-0011	
8		71233-0013	
9		71233-0015	
10		71233-0017	
11		71233-0019	
12		71233-0021	
2		71233-0101	
3		71233-0103	
4		71233-0105	
5		71233-0107	
6		71233-0109	
7		71233-0111	
8		71233-0113	
9		71233-0115	
10		71233-0117	
11		71233-0119	
12		71233-0121	

SIZE	STAMP	ASSEMBLY ITEM NUMBER	PLATING SEE NOTE 4
2		71233-0002	TIN OVERALL
3		71233-0004	
4		71233-0006	
5		71233-0008	
6		71233-0010	
7		71233-0012	
8		71233-0014	
9		71233-0016	
10		71233-0018	
11		71233-0020	
12		71233-0022	
2		71233-0102	
3		71233-0104	
4		71233-0106	
5		71233-0108	
6		71233-0110	
7		71233-0112	
8		71233-0114	
9		71233-0116	
10		71233-0118	
11		71233-0120	
12		71233-0122	

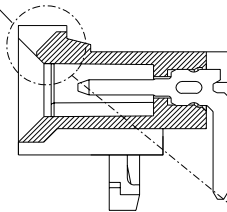
HOUSINGS WITHOUT PEGS

SIZE	STAMP	ASSEMBLY ITEM NUMBER	PLATING SEE NOTE 4
2		71233-0201	TIN OVERALL
3		71233-0203	
4		71233-0205	
5		71233-0207	
6		71233-0209	
7		71233-0211	
8		71233-0213	
9		71233-0215	
10		71233-0217	
11		71233-0219	
12		71233-0221	
2		71233-0301	
3		71233-0303	
4		71233-0305	
5		71233-0307	
6		71233-0309	
7		71233-0311	
8		71233-0313	
9		71233-0315	
10		71233-0317	
11		71233-0319	
12		71233-0321	

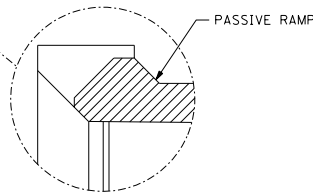
SIZE	STAMP	ASSEMBLY ITEM NUMBER	PLATING SEE NOTE 4
2		71233-0202	TIN OVERALL
3		71233-0204	
4		71233-0206	
5		71233-0208	
6		71233-0210	
7		71233-0212	
8		71233-0214	
9		71233-0216	
10		71233-0218	
11		71233-0220	
12		71233-0222	
2		71233-0302	
3		71233-0304	
4		71233-0306	
5		71233-0308	
6		71233-0310	
7		71233-0312	
8		71233-0314	
9		71233-0316	
10		71233-0318	
11		71233-0320	
12		71233-0322	

(POSITIVE LOCK, TRAY PACK)

POSITIVE LOCK VERSION SHOWN



(PASSIVE LOCK, TRAY PACK)



(POSITIVE LOCK, TRAY PACK)

(PASSIVE LOCK, TRAY PACK)

L	SEE SHEET 1	DIMENSIONS SHOWN (METRIC) INCH UNLESS OTHERWISE SPECIFIED TOLERANCES: ANGULAR ± 1/2°	REVISE ONLY ON CAD SYSTEM
I	SEE SHEET 1		
G	SEE SHEET 1		
F	SEE SHEET 1		
E	SEE SHEET 1		
C	SEE SHEET 1		
A	SEE SHEET 1		
LTR.	REVISIONS	LTR.	REVISIONS

INCH	METRIC
± PLACE ± .005	---
± PLACE ± .01	± 0.13
± PLACE ---	± 0.25

DRIFT WHERE APPLICABLE MUST REMAIN WITHIN DIMENSIONS

DRG. BY: RWB	CHKD. BY: PAR	FILE NAME: S1233P3.DWG	DATE: 08/02/93
APP'D. BY: FAH	SCALE: 1:1	PART NO.: SDA-71233-***	REV. 3

TITLE: SINGLE ROW MINI-FIT HEADER RIGHT ANGLE, BLIND MATE, THRU-HOLE SALES ASSEMBLY

MOLEX INCORPORATED, U.S.A.

SEE CHART

THIS DRAWING CONTAINS INFORMATION THAT IS PROPRIETARY TO MOLEX. IT IS TO BE KEPT CONFIDENTIAL AND NOT BE USED WITHOUT WRITTEN PERMISSION.