

Excellent Integrated System Limited

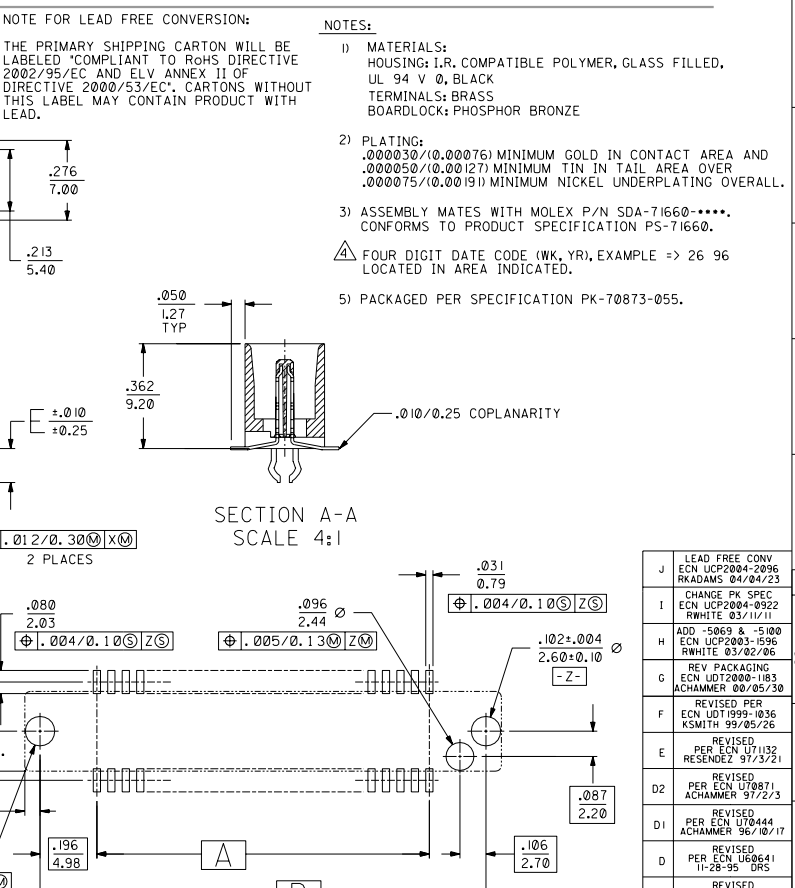
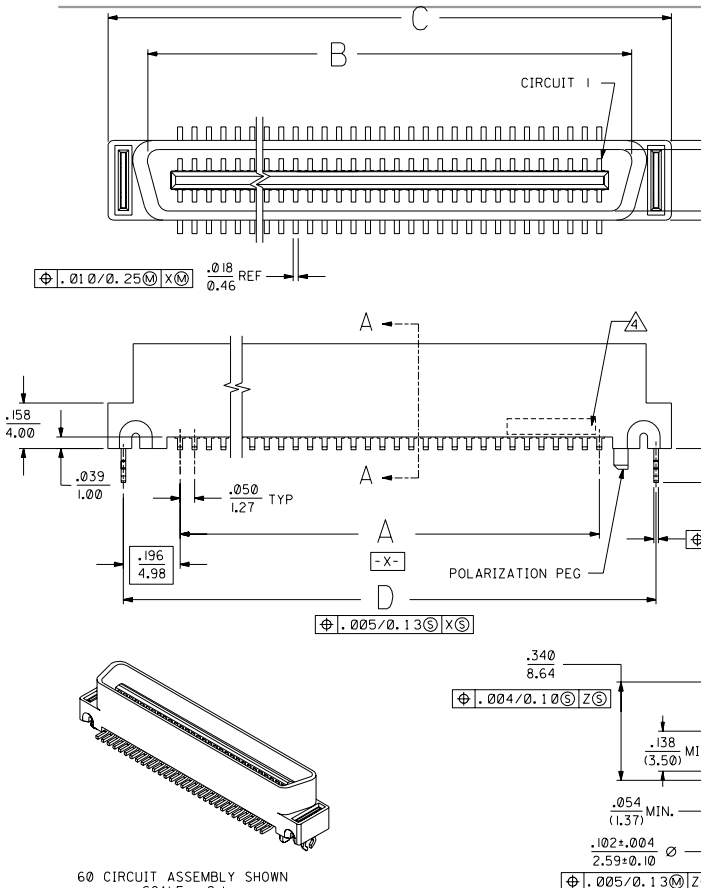
Stocking Distributor

Click to view price, real time Inventory, Delivery & Lifecycle Information:

[Molex Connector Corporation](#)
[71661-5050](#)

For any questions, you can email us directly:

sales@integrated-circuit.com



J	LEAD FREE CONV ECN UCP2004-2096 RADAMS 04/04/23
I	CHANGE PK SPEC ECN UCP2004-0922 RWHITE 03/11/11
H	ADD -5069 & -5100 ECN UCP2003-1596 RWHITE 03/02/06
G	REV PACKAGING ECN U072000-1183 ACHAMMER 00/05/30
F	REVISED PER ECN U071999-1036 KSMITH 99/05/26
E	REVISED PER ECN U071132 RESENDEZ 97/3/21
D2	REVISED PER ECN U070871 ACHAMMER 97/2/3
D1	REVISED PER ECN U070444 ACHAMMER 96/10/17
D	REVISED PER ECN U60641 11-28-95
C	REVISED PER ECN U50830 2-24-95 RAN
B	REVISED PER ECN U40901 7-20-94 RAN
A	INITIAL RELEASE PER ECN U40578 3-18-94 RAN

71661-5100	100	.062±.006 (1.57±0.15)	2.450 (62.23)	2.676 (67.97)	2.949 (74.90)	2.842 (72.19)	.118 (3.00)
71661-5080	80	.062±.006 (1.57±0.15)	1.950 (49.53)	2.176 (55.27)	2.449 (62.20)	2.342 (59.50)	.118 (3.00)
71661-5069	68	.116±.006 (2.95±0.15)	1.650 (41.91)	1.875 (47.65)	2.149 (54.58)	2.042 (51.88)	.172 (4.37)
71661-5068	68	.062±.006 (1.57±0.15)	1.650 (41.91)	1.875 (47.65)	2.149 (54.58)	2.042 (51.88)	.118 (3.00)
71661-5060	60	.062±.006 (1.57±0.15)	1.450 (36.83)	1.676 (42.57)	1.949 (49.50)	1.842 (46.80)	.118 (3.00)
71661-5050	50	.062±.006 (1.57±0.15)	1.200 (30.48)	1.426 (36.22)	1.699 (43.15)	1.592 (40.45)	.118 (3.00)
71661-5040	40	.062±.006 (1.57±0.15)	.950 (24.13)	1.176 (29.87)	1.449 (36.80)	1.342 (34.10)	.118 (3.00)
71661-5031	30	.116±.006 (2.95±0.15)	.700 (17.78)	.925 (23.52)	1.199 (30.45)	1.092 (27.75)	.172 (4.37)
71661-5030	30	.062±.006 (1.57±0.15)	.700 (17.78)	.925 (23.52)	1.199 (30.45)	1.092 (27.75)	.118 (3.00)

ITEM NUMBER	CIRCUIT SIZE	RECOMMENDED CIRCUIT BOARD THICKNESS	A	B	C	D	E
-------------	--------------	-------------------------------------	---	---	---	---	---

MFG. SH. REV. LTR. REVISIONS

SALES ASSEMBLY
MOLEX EBB1 50D SMT
PLUG CONNECTOR

MOLEX INCORPORATED SHEET NO. DATE
1 OF 1 2 / 1/93

SEE TABLE DRWG. NO. SDA-71661-5***

FILE NAME: ST16615050.DWG

THIS DRAWING CONTAINS INFORMATION THAT IS PROPRIETARY TO MOLEX. IT SHALL NOT BE USED WITHOUT WRITTEN PERMISSION.